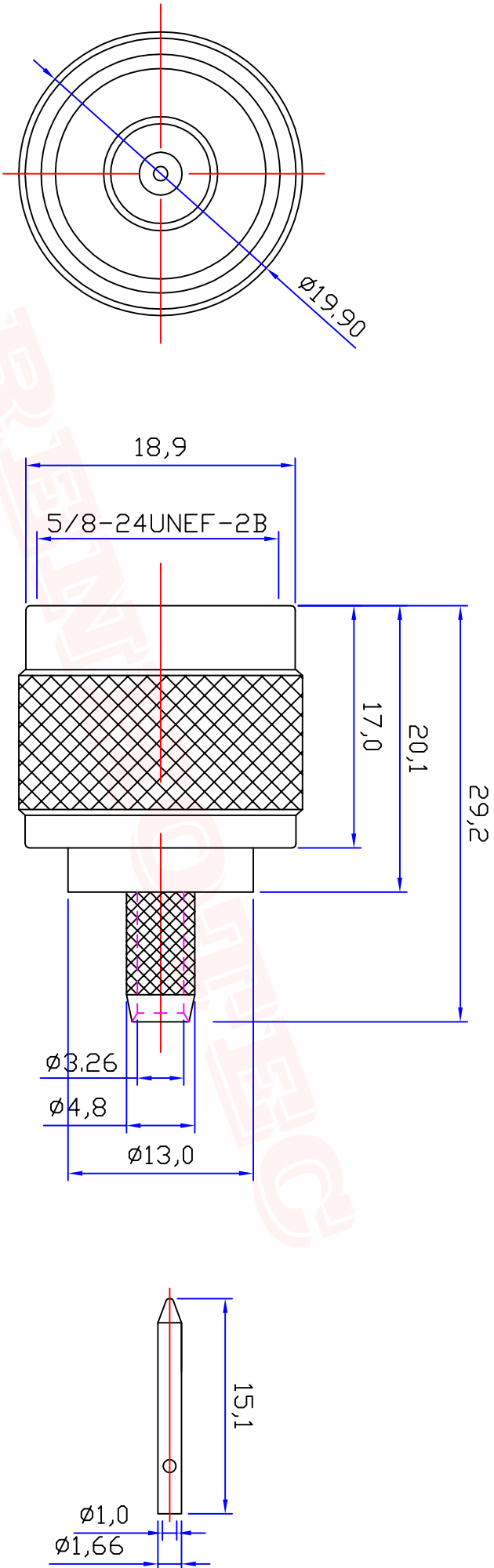




Product NO.		RHT-614-0241		
REV	DESCRIPTION	DMN	DATE	APPROVEN
A	First issue	Gavin	2018/03/12	JIM.KING



Specifications
 Impedance: 50 Ohms
 Frequency Range: 0-11G
 VSWR: 1.3MAX
 Working Voltage: 1000 VRMS (max at sea level)
 Dielectric Withstanding Voltage: 1500 vrms (max at sea level)
 Insulation Resistance: 5000 Ohms min
 Durability Mating: 500 Cycles min
 Temperature Range: -65°C To +165°C

3	PIN	BRASS	GOLD	1
2	INSULATION	TEFLON	RED	1
1	BODY	BRASS	NICKEL	1
NO	DESCRIPTION	MATERIAL	FINISH	QTY

-TOLERANCES-
 UNLESS OTHERWISE SPECIFIED

UNLESS OTHERWISE SPECIFIED
 TOLERANCES FOR MILLIMETERS ARE:
 0.5 - 8mm ± 0.20mm
 8 - 30mm ± 0.40mm
 30 - 120mm ± 0.50mm



RENHOTEK GROUP

PART DESCRIPTION: N PLUG FOR RG58 CABLE

Appd: JIM.KING P/N: RHT-614-0241

Check: Date Scale Unit Type Page

Draw: Gavin 2018/03/12 Free MM Z 1/1

E

2

3

4

5

6