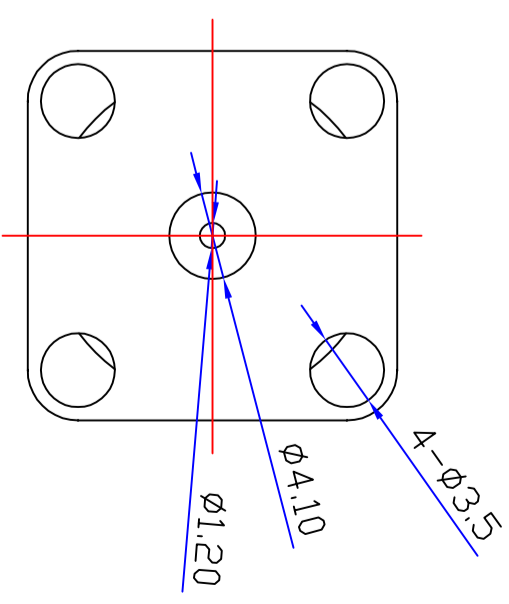
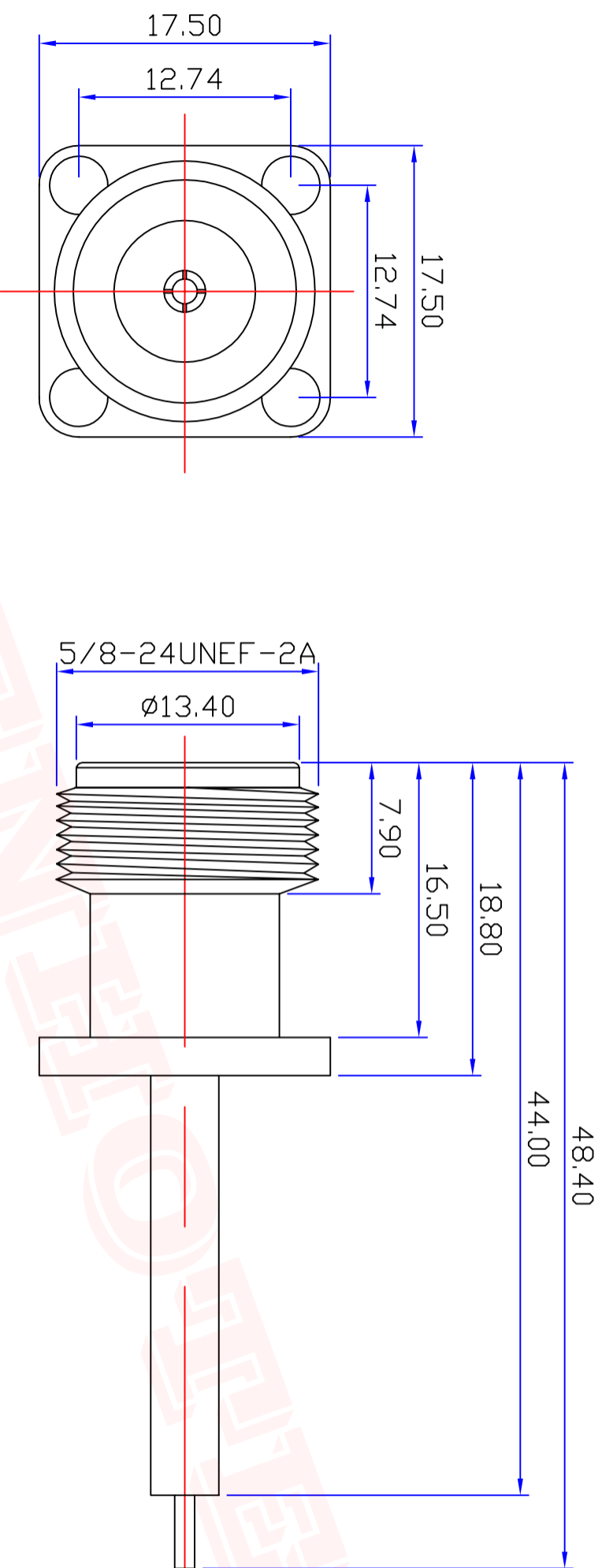




Product NO.		RHT-614-0202	
REV	DESCRIPTION	DWN	DATE
A	First Issue	Gavin	2018/03/12
			APPROVEN
			JIM. KING



**Specifications**

Impedance: 50 Ohms  
 Frequency Range: 0-11G  
 VSWR: 1.3MAX  
 Working Voltage: 1000 VRMS (max at sea level)  
 Dielectric Withstanding Voltage: 1500 vrms (max at sea level)  
 Insulation Resistance: 5000 Ohms min  
 Durability Mating: 500 Cycles min  
 Temperature Range: -65°C TO +165°C

3	PIN	BRASS	GOLD	1
2	INSULATION	TEFLON	WHITE	1
1	BODY	BRASS	NICKEL	1
NO	DESCRIPTION	MATERIAL	FINISH	QTY
1				

-TOLERANCES- UNLESS OTHERWISE SPECIFIED				<b>RENHOTECH GROUP</b>	
UNLESS OTHERWISE SPECIFIED TOLERANCES FOR MILLIMETERS ARE:				<b>PART DESCRIPTION:</b> Female N Type JACK Connectors	
0.5 - 8mm	± 0.20mm			Appd: JIM. KING P/N: RHT-614-0202	
8 - 30mm	± 0.40mm			Check:	
30 - 120mm	± 0.50mm			Date: 2018/03/12	
		Draw: Gavin		Scale: Free	
				Unit: MM	
				Type: Z	
				Page: 1/1	