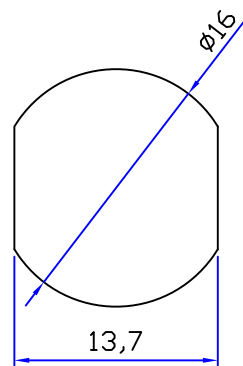
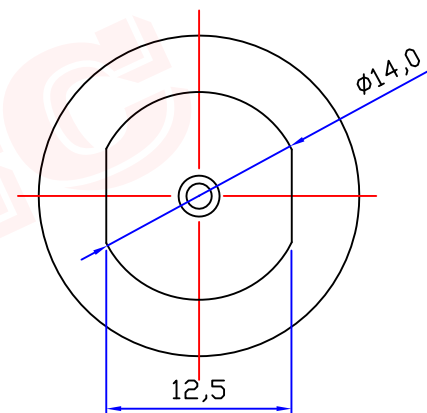
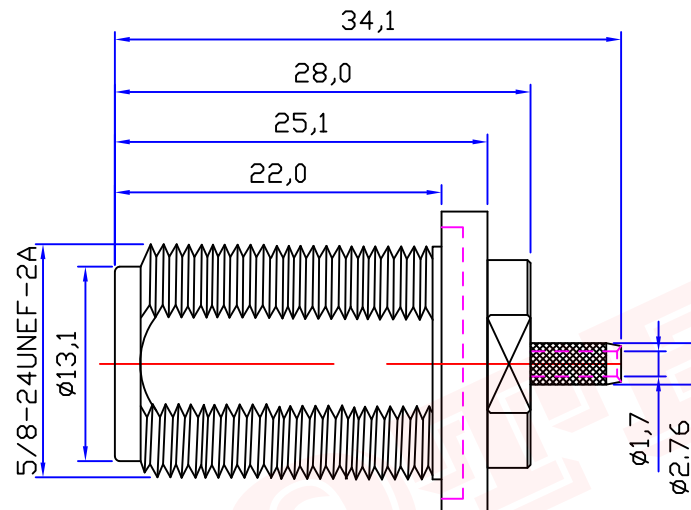
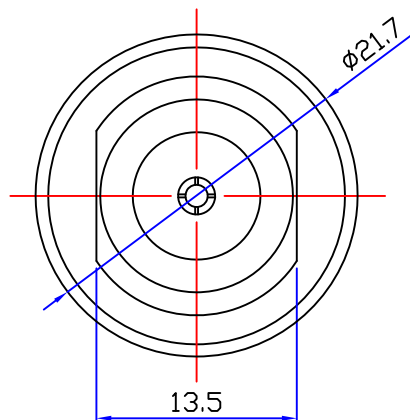




Product NO.		RHT-614-0245		
REV	DESCRIPTION	DWN	DATE	APPROVEN
A	First issue	Gavin	2018/03/12	JIM. KING
A	Panel Mount Size	Gavin	2019/09/27	JIM. KING

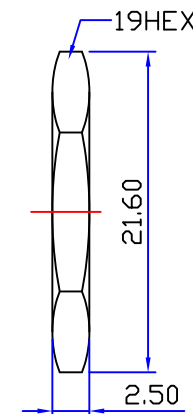
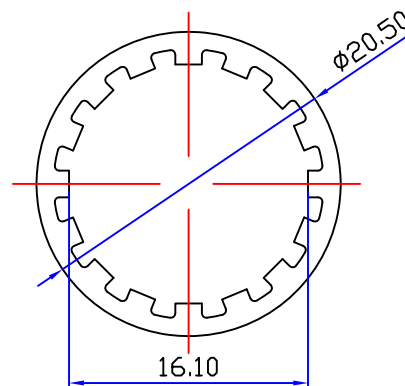
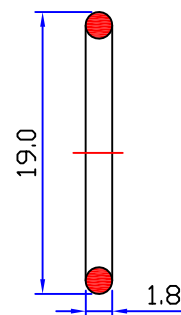


Panel Mount Size



Specifications

Impedance: 50 Ohms
 Frequency Range: 0-6G
 VSWR: 1.3MAX
 Working Voltage: 1000 VRMS (max at sea level)
 Dielectric Withstanding Voltage: 1500 vrms (max at sea level)
 Insulation Resistance: 5000 Ohms min
 Durability Mating: 500 Cycles min
 Temperature Range: -40°C TO +125°C



6	NUT	BRASS	NICKEL	1
5	GASKET	BRASS	NICKEL	1
4	O-RING	EPDM	RED	1
3	PIN	BRASS	GOLD	1
2	INSUKATON	TEFLON	WHITE	1
1	BODY	BRASS	NICKEL	1
NO	DESCRIPTION	MATERIAL	FINISH	QTY

-TOLERANCES- UNLESS OTHERWISE SPECIFIED		RENHOTEC GROUP	
UNLESS OTHERWISE SPECIFIED TOLERANCES FOR MILLIMETERS ARE: 0.5 - 8mm ± 0.20mm 8 - 30mm ± 0.40mm 30 - 120mm ± 0.50mm		PART DESCRIPTION: N JACK FOE RG316 CABLE Appd: JIM. KING P/N: RHT-614-0245	
Check:	Date	Scale	Unit
Draw: Gavin	2019/09/27	Free	MM
Type	Page		
Z	1/1		