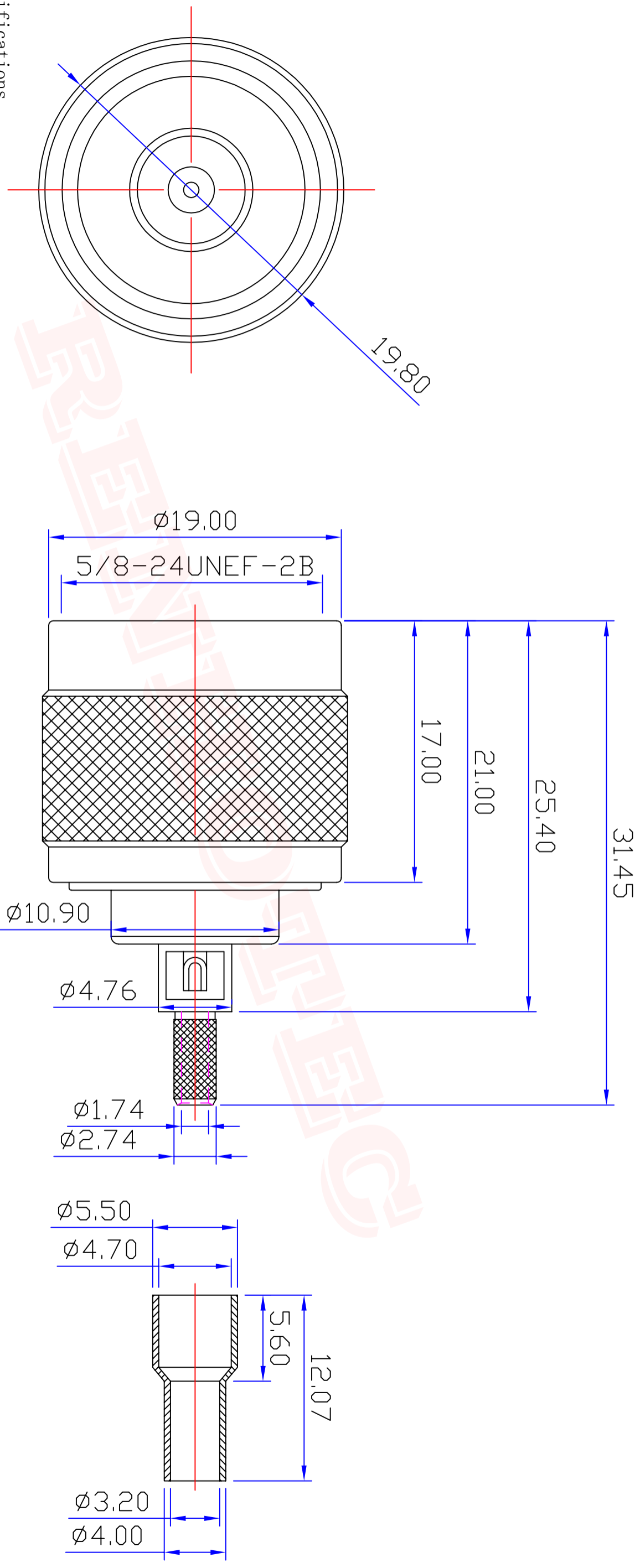




Product NO.		RHT-614-0206	
REV	DESCRIPTION	DWN	DATE
A	First Issue	Gavin	2018/03/12
			APPROVEN
			JIM. KING



**Specifications**

Impedance: 50 Ohms  
 Frequency Range: 0-11G  
 VSWR: 1.3MAX  
 Working Voltage: 1000 VRMS (max at sea level)  
 Dielectric Withstanding Voltage: 1500 vrms (max at sea level)  
 Insulation Resistance: 5000 Ohms min  
 Durability Mating: 500 Cycles min  
 Temperature Range: -65°C T0 +165°C

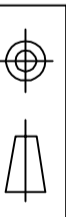
4	CASING	BRASS	NICKEL	1
3	PIN	BRASS	GOLD	1
2	INSULATION	TEFLON	RED	1
1	BODY	BRASS	NICKEL	1
NO	DESCRIPTION	MATERIAL	FINISH	QTY

-TOLERANCES-  
UNLESS OTHERWISE  
SPECIFIED

UNLESS OTHERWISE SPECIFIED  
TOLERANCES FOR MILLIMETERS ARE:  
0.5 - 8mm ± 0.20mm  
8 - 30mm ± 0.40mm  
30 - 120mm ± 0.50mm



**RENHOTECH GROUP**



PART DESCRIPTION:  
N PLUG FOR RG316 CABLE

Appd: JIM. KING	P/N: RHT-614-0206	Date	Scale	Unit	Type	Page
Check:		2018/03/12	Free	MM	Z	1/1
Draw: Gavin						