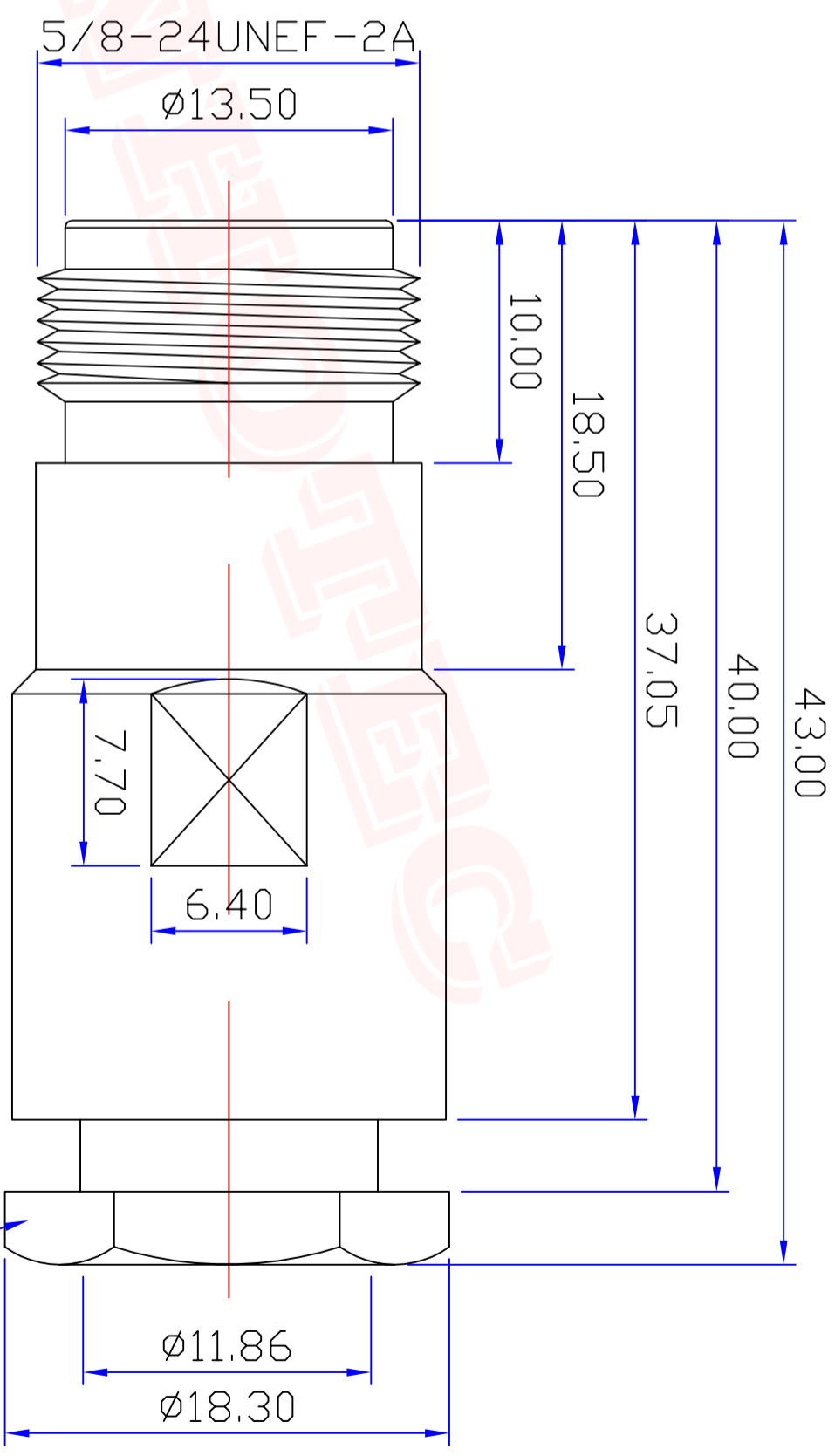
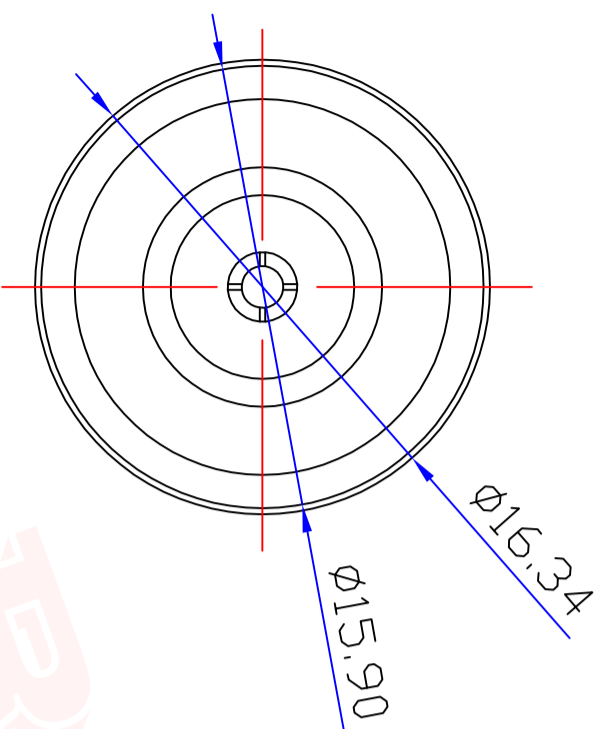




Product NO.		RHT-614-0221	
REV	DESCRIPTION	DWN	DATE
A	First Issue	Gavin	2018/03/12
			APPROVEN
			JIM. KING



Specifications

Impedance: 50 Ohms
 Frequency Range: 0-11G
 VSWR: 1.3MAX
 Working Voltage: 1000 VRMS (max at sea level)
 Dielectric Withstanding Voltage: 1500 vrms (max at sea level)
 Insulation Resistance: 5000 Ohms min
 Durability Mating: 500 Cycles min
 Temperature Range: -65°C TO +165°C

3	PIN	BRASS	GOLD	1
2	INSUKATON	TEFLON	WHITE	1
1	BODY	BRASS	NICKEL	1
NO	DESCRIPTION	MATERIAL	FINISH	QTY

-TOLERANCES- UNLESS OTHERWISE SPECIFIED				RENHOTECH GROUP	
UNLESS OTHERWISE SPECIFIED TOLERANCES FOR MILLIMETERS ARE: 0.5 - 8mm ± 0.20mm 8 - 30mm ± 0.40mm 30 - 120mm ± 0.50mm				PART DESCRIPTION: N JACK FOR RG8 CABLE	
Appd:	JIM. KING	P/N:	RHT-614-0221	Date	2018/03/12
Check:		Scale	Free	Unit	MM
Draw:	Gavin			Type	Z
				Page	1/1