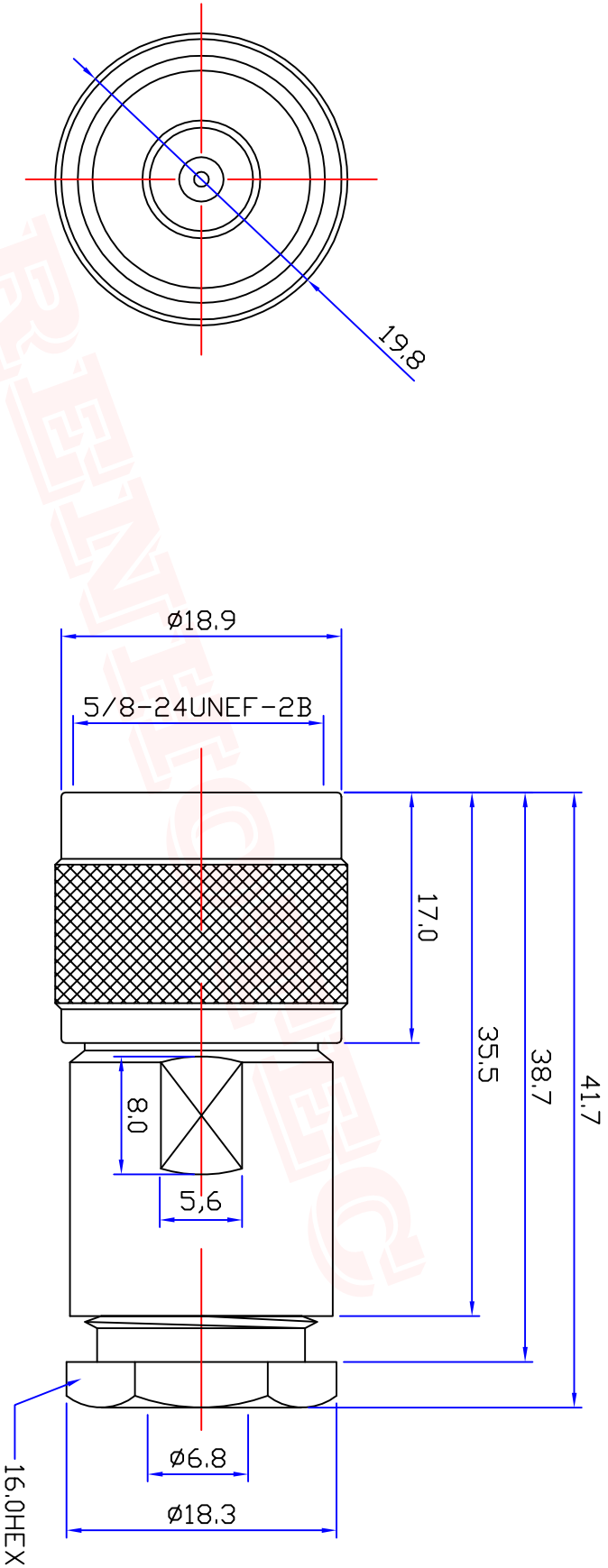





Product NO.		RHT-614-0237		
REV	DESCRIPTION	DMN	DATE	APPROVEN
A	First issue	Gavin	2018/03/12	JIM.KING



Specifications
 Impedance: 50 Ohms
 Frequency Range: 0-11G
 VSWR: 1.3MAX
 Working Voltage: 1000 VRMS (max at sea level)
 Dielectric Withstanding Voltage: 1500 vrms (max at sea level)
 Insulation Resistance: 5000 Ohms min
 Durability Mating: 500 Cycles min
 Temperature Range: -65°C T0 +165°C

3	PIN	BRASS	GOLD	1
2	INSULATION	TEFLON	RED	1
1	BODY	BRASS	NICKEL	1
NO	DESCRIPTION	MATERIAL	FINISH	QTY

-TOLERANCES- UNLESS OTHERWISE SPECIFIED		 RENHOTEC GROUP <small>www.renhotec.com</small>	
UNLESS OTHERWISE SPECIFIED TOLERANCES FOR MILLIMETERS ARE: 0.5 - 8mm ± 0.20mm 8 - 30mm ± 0.40mm 30 - 120mm ± 0.50mm		PART DESCRIPTION: N PLUG FOR RG59 CABLE	
Appd:	JIM.KING	P/N:	RHT-614-0237
Check:		Date	
Draw:	Gavin	2018/03/12	Free
		Scale	Unit
		MM	Z
		Type	Page
			1/1

E
D
C
B
A
1
2
3
4
5
6