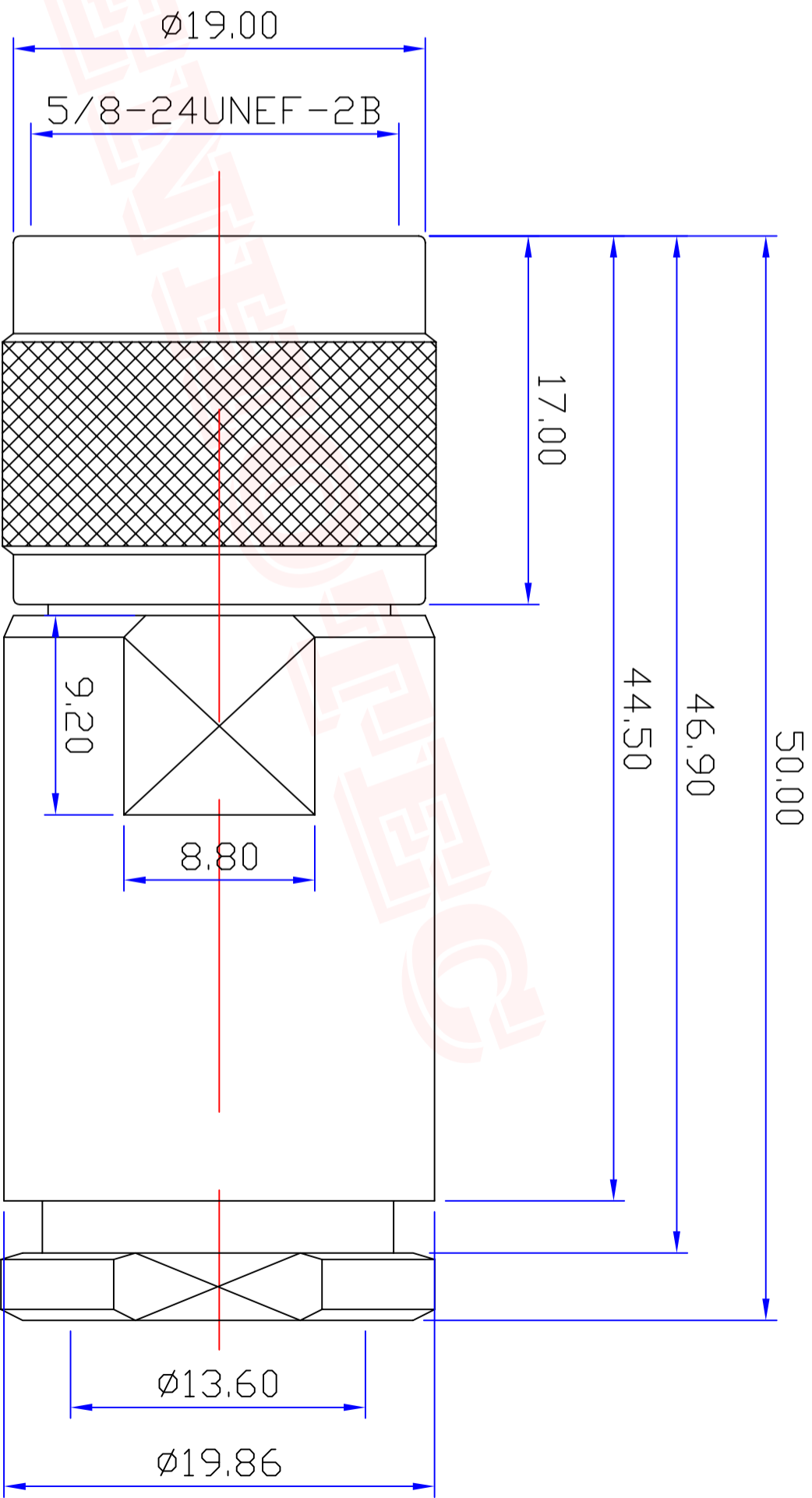
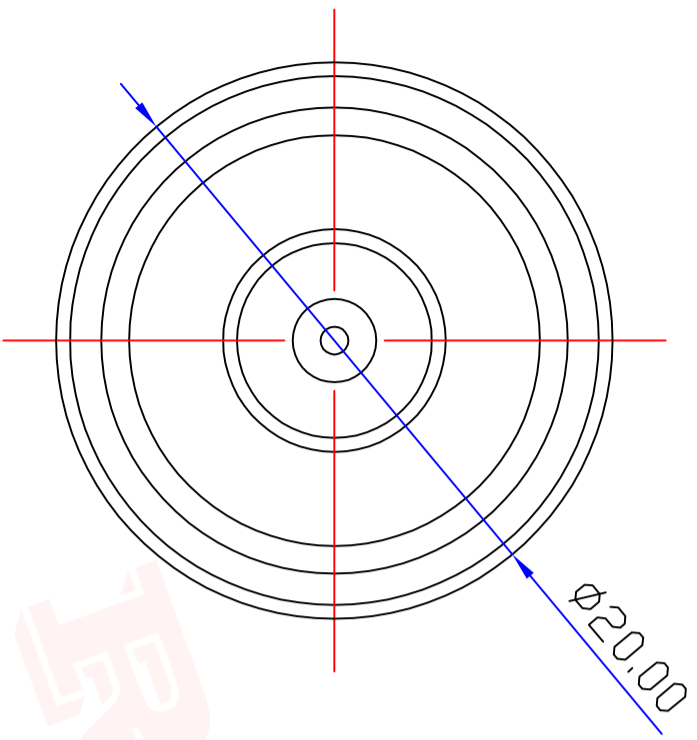




Product NO.		RHT-614-0191		
REV	DESCRIPTION	DWN	DATE	APPROVEN
A	First Issue	Gavin	2018/03/12	JIM. KING



Specifications

- Impedance: 50 Ohms
- Frequency Range: 0-11G
- VSWR: 1.3MAX
- Working Voltage: 1000 VRMS (max at sea level)
- Dielectric Withstanding Voltage: 1500 vrms (max at sea level)
- Insulation Resistance: 5000 Ohms min
- Durability Mating: 500 Cycles min
- Temperature Range: -65°C TO +165°C

PIN	BRASS	GOLD	1
INSUKATON	TEFLON	RED	1
BODY	BRASS	NIACEL	1
DESCRIPTION	MATERIAL	FINISH	QTY
1			

-TOLERANCES-
UNLESS OTHERWISE
SPECIFIED

UNLESS OTHERWISE SPECIFIED
TOLERANCES FOR MILLIMETERS ARE:
0.5 - 8mm ± 0.20mm
8 - 30mm ± 0.40mm
30 - 120mm ± 0.50mm



RENHOTECH GROUP

PART DESCRIPTION:
N PLUG CONNECTORS

Appd: JIM. KING	P/N: RHT-614-0191	Date	Scale	Unit	Type	Page
Check:		2018/03/12	Free	MM	Z	1/1
Draw: Gavin						