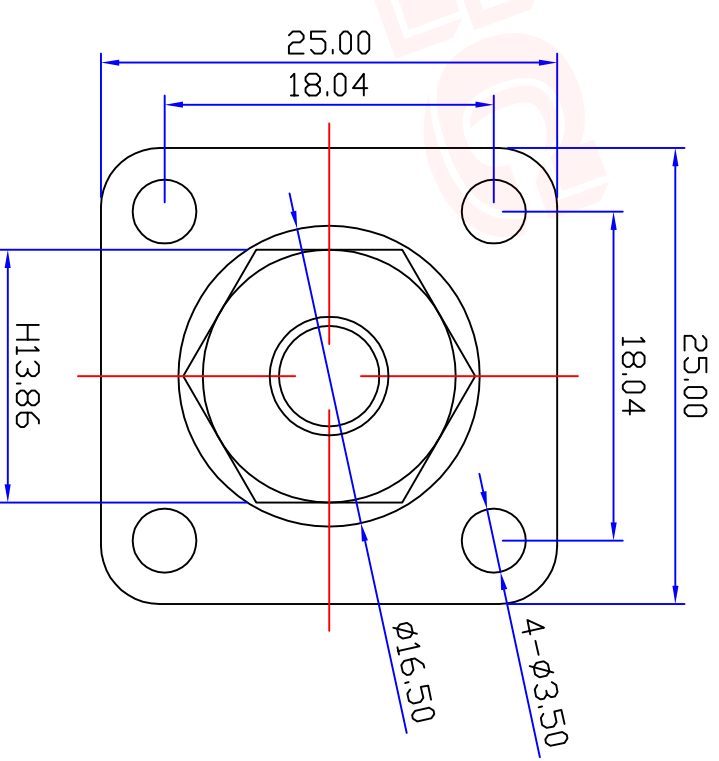
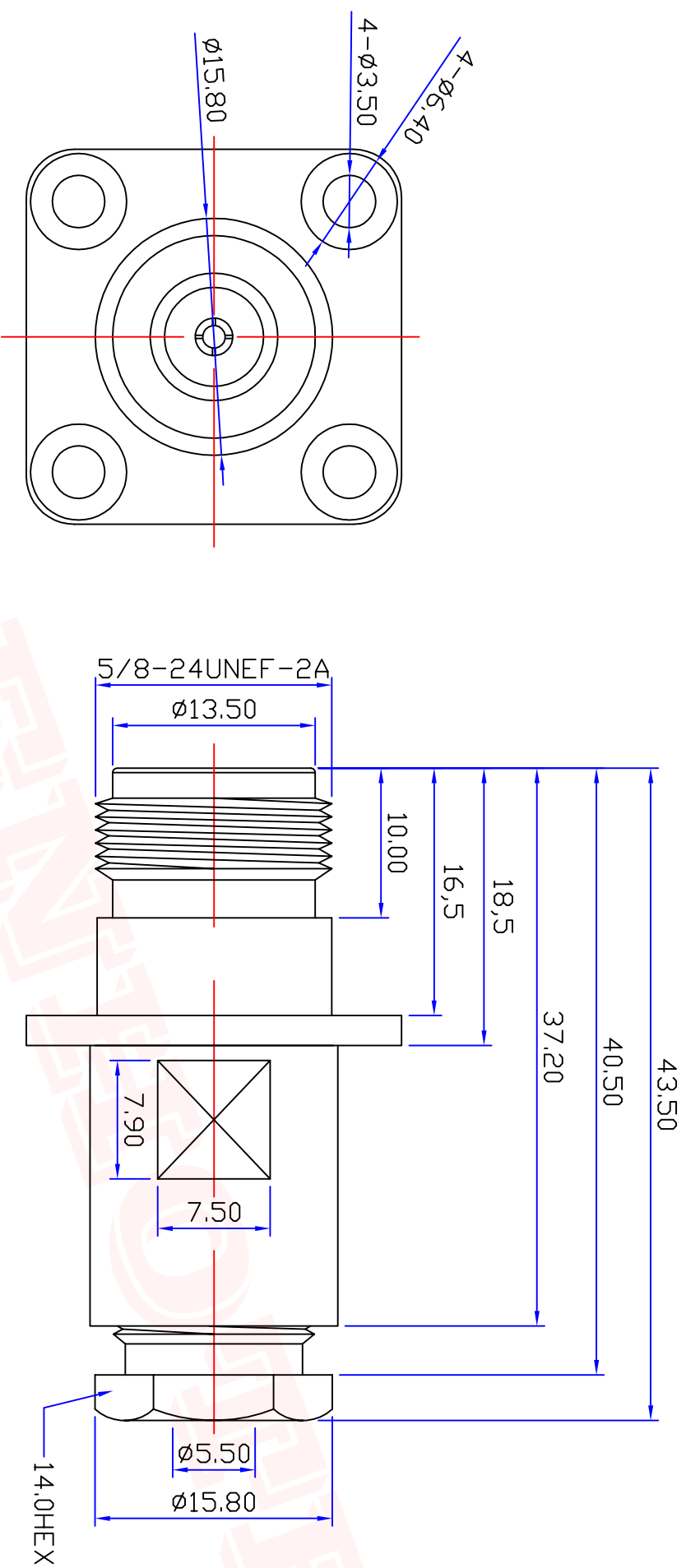




Product NO.		RHT-614-0193			
REV	DESCRIPTION	DWN	DATE	APPROVEN	
A	First Issue	Gavin	2018/03/12	JIM. KING	



Specifications
 Impedance: 50 Ohms
 Frequency Range: 0-11G
 VSWR: 1.3MAX
 Working Voltage: 1000 VRMS (max at sea level)
 Dielectric Withstanding Voltage: 1500 vrms (max at sea level)
 Insulation Resistance: 5000 Ohms min
 Durability Mating: 500 Cycles min
 Temperature Range: -65°C T0 +165°C

3	PIN	BRASS	GOLD	1
2	INSULATION	TEFLON	WHITE	1
1	BODY	BRASS	NICKEL	1
NO	DESCRIPTION	MATERIAL	FINISH	QTY

RENHOTECH GROUP
 www.renhotec.com

RENHOTECH
 www.renhotec.com

PART DESCRIPTION:
 Female N Type JACK For RG58 Cable

P/N: RHT-614-0193

Appd: JIM. KING
 Check: Date: 2018/03/12
 Draw: Gavin Scale: Free Unit: MM Type: Z Page: 1/1

-TOLERANCES-
 UNLESS OTHERWISE SPECIFIED
 TOLERANCES FOR MILLIMETERS ARE:
 0.5 - 8mm \pm 0.20mm
 8 - 30mm \pm 0.40mm
 30 - 120mm \pm 0.50mm

1	2	3	4	5	6
---	---	---	---	---	---