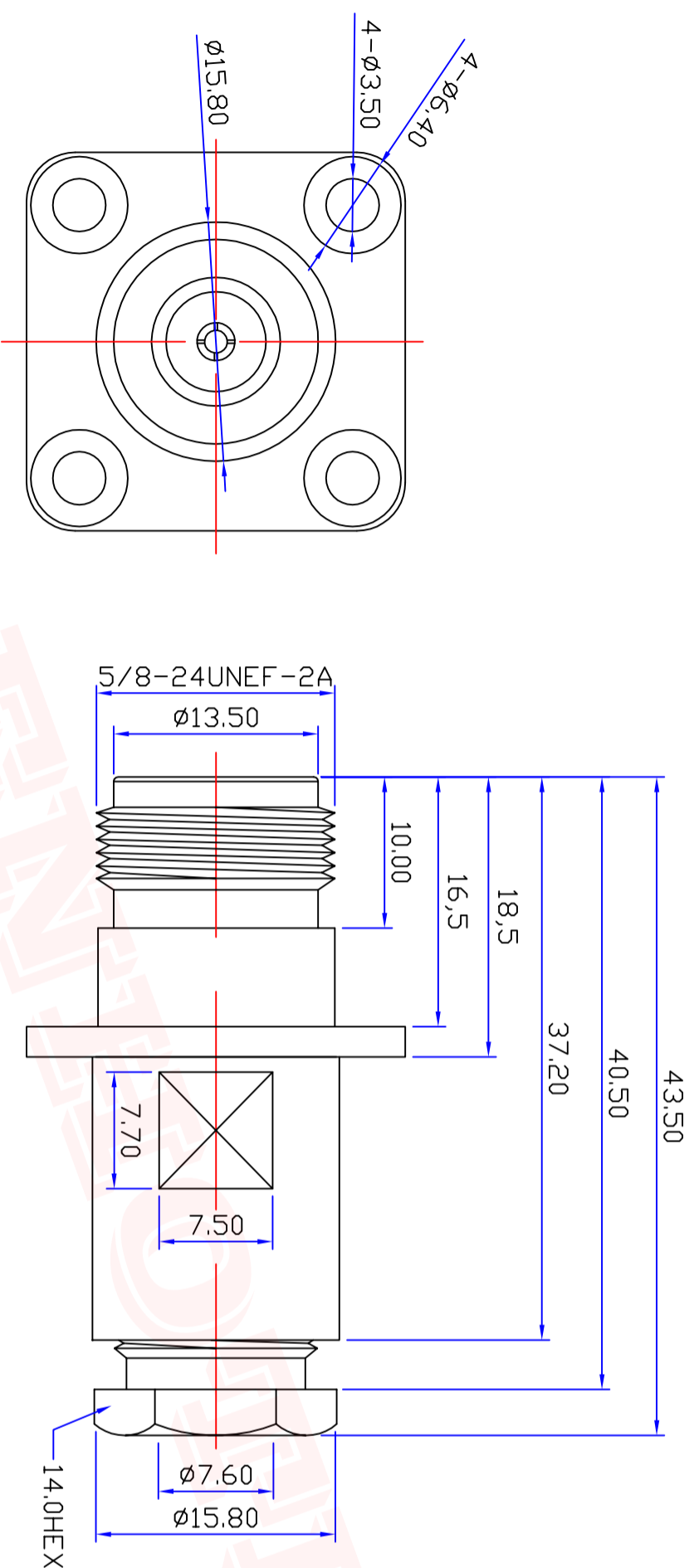




Product NO.		RHT-614-0195	
REV	DESCRIPTION	DWN	DATE
A	First Issue	Gavin	2018/03/12
			APPROVEN
			JIM. KING



Specifications
 Impedance: 50 Ohms
 Frequency Range: 0-11G
 VSWR: 1.3MAX
 Working Voltage: 1000 VRMS (max at sea level)
 Dielectric Withstanding Voltage: 1500 vrms (max at sea level)
 Insulation Resistance: 5000 Ohms min
 Durability Mating: 500 Cycles min
 Temperature Range: -65°C T0 +165°C

PIN	BRASS	GOLD	1
INSUKATON	TEFLON	WHITE	1
BODY	BRASS	NICKEL	1
DESCRIPTION	MATERIAL	FINISH	QTY

-TOLERANCES- UNLESS OTHERWISE SPECIFIED				RENHOTECH GROUP	
UNLESS OTHERWISE SPECIFIED TOLERANCES FOR MILLIMETERS ARE: 0.5 - 8mm ± 0.20mm 8 - 30mm ± 0.40mm 30 - 120mm ± 0.50mm		PART DESCRIPTION: Female N Type JACK For RG59 Cable		P/N: RHT-614-0195	
Appd:	JIM. KING	Date	2018/03/12	Scale	Free
Check:		Unit	MM	Type	Z
Draw:	Gavin	Page	1/1		