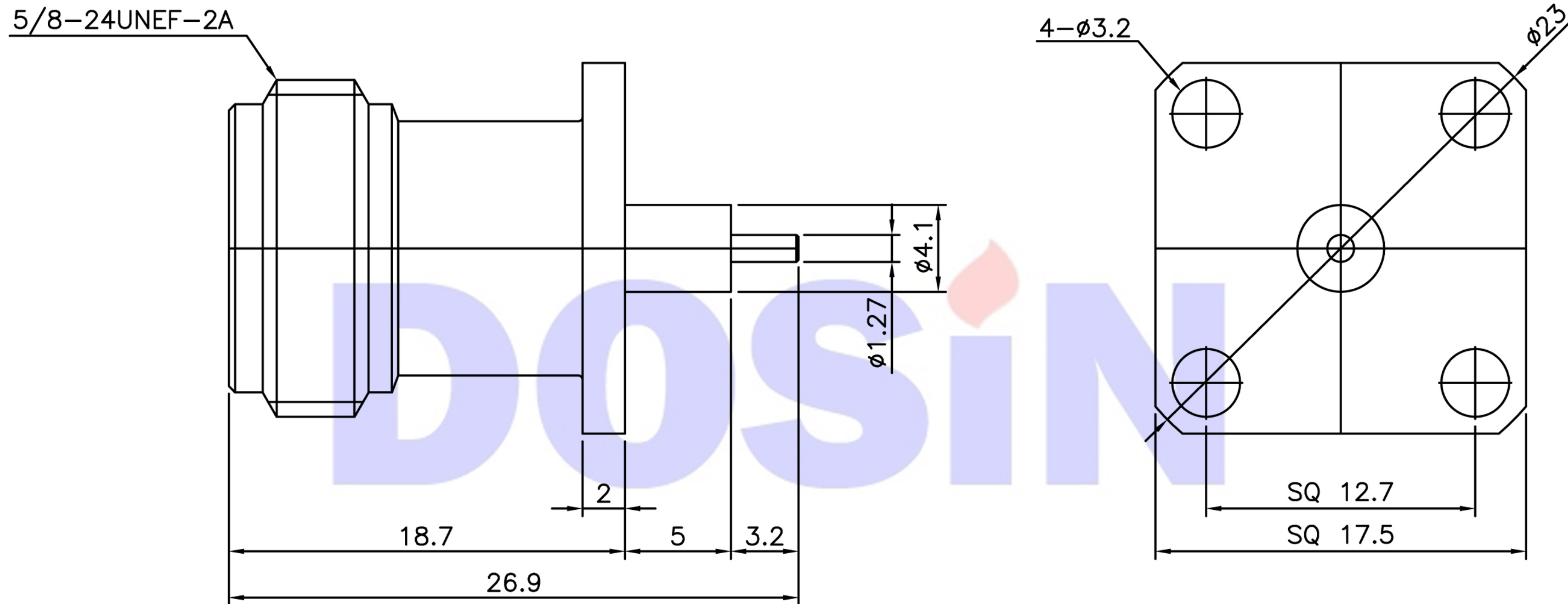




Product NO. DOSIN-805-1042				
REV	DESCRIPTION	DWN	DATE	APPROVEN
A	First issue	JIM	2017. 3. 10	John kine



Connector parts	Materials	Finish
Body	Brass	Nickel Plated
Center contact	Beryllium copper	Gold Plated
Insulator	Teflon	-

NOTE:		Tolerance	0-6	$\pm 0.05$	<b>Dosin Industrial(H.K)Co.Ltd</b> 东莞市德索五金电子制品有限公司 <b>Dosin Hardware Electronics Co.,Ltd</b> E-mail:dosin2005@163.com dosin2005@dosin-china.com Web:http://www.dosinconn.com TEL:(0086)769-81153906 FAX:(0086)769-81875836
DRAWN			6-30	$\pm 0.10$	
Zelin. Zhang	2017. 3. 10	30-120	$\pm 0.20$		
CHECKED		Angular	$\pm 2^\circ$		
APPROVALS		View			Name: N Type Panel Receptacle Jack 4Holes SQ17.5
John		UNIT	MM		SIZE A
SCALE		1:1	DateTime		Product NO. DOSIN-805-1042
			2017. 3. 10		REV B
			CAD FILE		
			D/company drawings/BD		SHEET: 1 OF 1