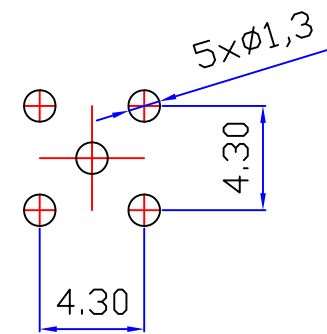
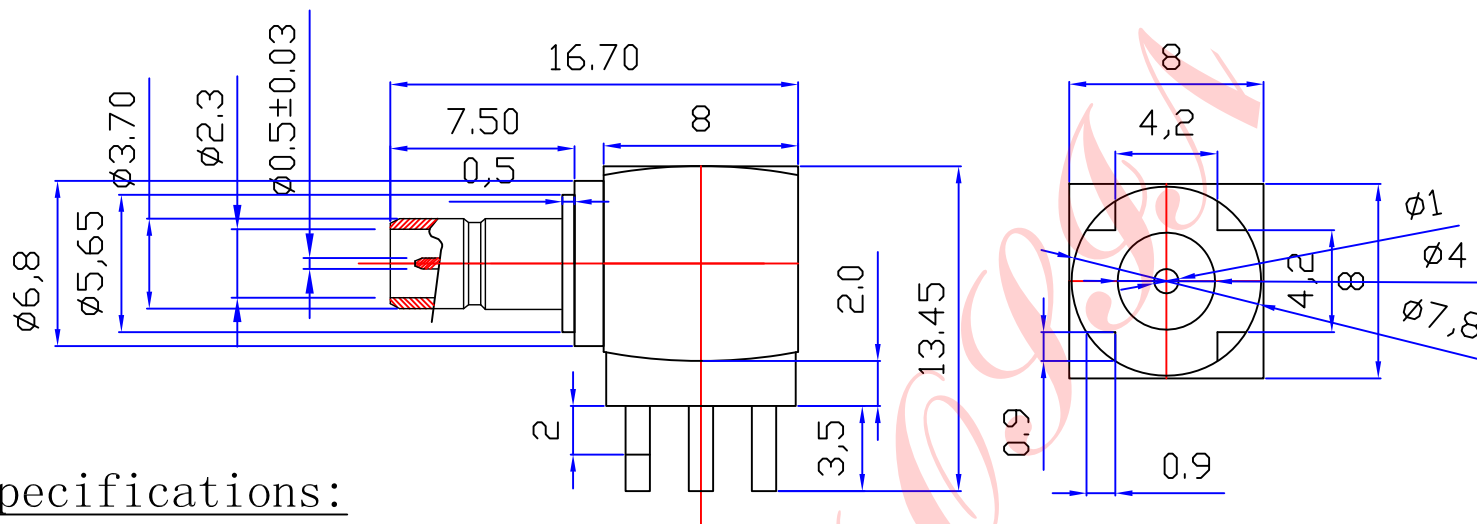




Customer NO:		DOSIN-807-0035		
REV	DESCRIPTION	DWN	DATE	APPROVEN
A	First issue	Mr. CHEN	2016/12/16	John kine
B				



Specifications:

- IMPEDANCE: 75 Ohms
- Frequency range: 0~6GHz
- VSWR: 1.5MAX
- Working voltage: 500V rms @ sea level
- Insulation resistance: 5000 Ohms min
- Temperature range: -65°C TO +165°C
- Relative temperature: $\leq 95\%$ ($40^\circ\text{C} \pm 2^\circ\text{C}$)

NOTE:

DRAWN
Zelin. CHEN

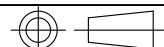
CHECKED

APPROVALS
John

Tolerance

- X. ± 0.15
- X.X ± 0.10
- X.XX ± 0.05
- Angular $\pm 5^\circ$

View



UNIT

MM

SCALE

1:1



Dosin Industrial (HK) Co. Ltd

东莞市德索五金电子制品有限公司

Dosin Hardware Electronics Co., Ltd

E-mail: dosin2005@163.com
dosin2005@dosin-china.com
Web: http://www.dosinconn.com
TEL: (0086) 769-81153906
FAX: (0086) 769-81875836

Name: SMB JACK FOR PCB CONNECTOR

SIZE A Product NO. DOSIN-807-0035 REV A

DateTime 2016/12/16 CAD FILE H/company drawings/BD SHEET: 1 OF 1

DESCRIPTION	MATERIAL	FINISH	QTY
CONTACT PIN	BRASS	GOLD	1
INSULATOR	TEFLON	WHITE	1
BODY	BRASS	GOLD	1