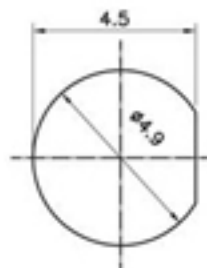
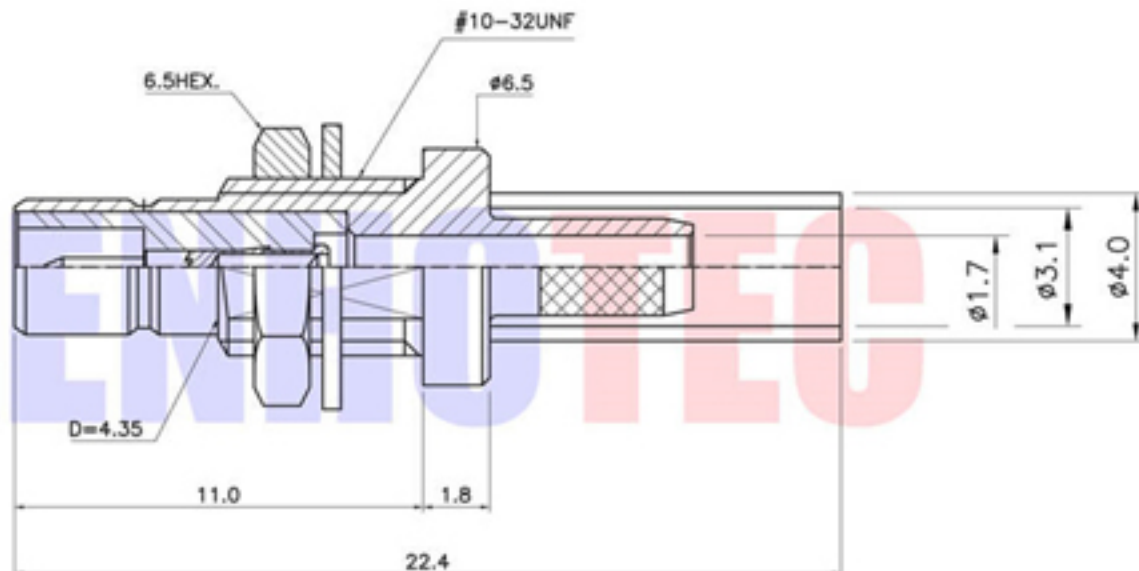




Product NO.	Renhotec-626-0221			
REV	DESCRIPTION	DWN	DATE	APPROVEN
A	First Issue	Mr. Wang	2017/3/6	John Kine



MOUNT HOLE



Connector parts	Materials	Finish
Body	Brass	Gold Plated
Center contact	Brass	Gold Plated
Insulator	PTFE	-
Nut, Washer	Brass	Gold Plated

NOTE:

DRAWN		2017/3/6	View	
Zelin. Zhang				
CHECKED			UNIT	MM
APPROVALS		2017/3/6	SCALE	1:1
John Kine				



RENHOTEC GROUP

Name: SMB Bulkhead Male Jack for Cable RG316			
SIZE	Product NO.	RHT-626-0221	REV
A			
Date/Time	CAD FILE	SHEET: 1 OF 1	
2017/3/6	D/company drawings/BD		