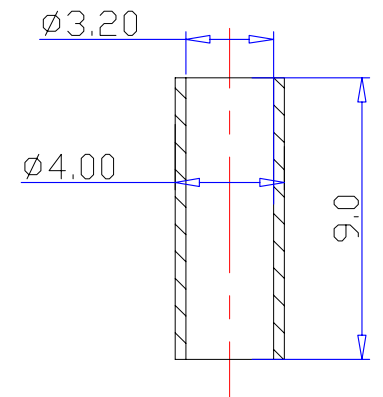
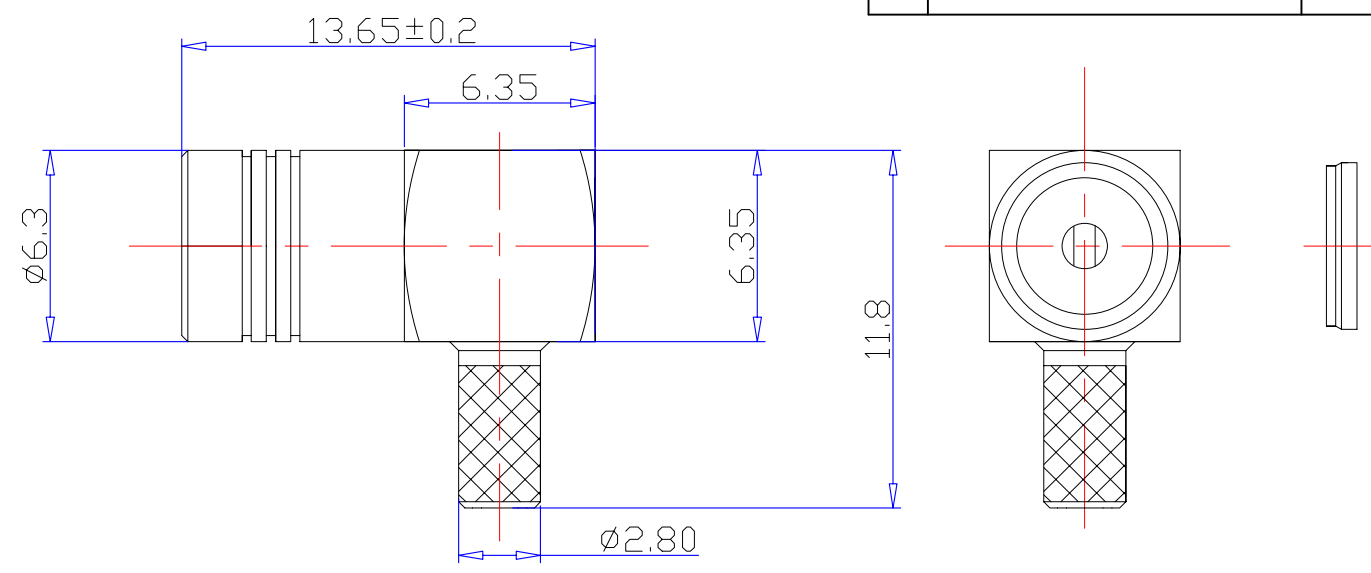


Product NO.		DOSIN-807-0001		
REV	DESCRIPTION	DWN	DATE	APPROVEN
A	First issue	JIM	2010/02/03	John kine



**Specification:**  
 VSWR:1.3MAX  
 Frequency range:DC~3G  
 Working Voltage:500V rms @ sea level  
 Insulation resistance:5000 Ohms min  
 Temperature range:-55°C TO +155°C  
 Relative temperature:≤95%(40° C±2° C)  
 Drawings products are in line with ROHS standards.

1	INSULATOR	PTFE	WHITE	1	NOTE:	Tolerance	0-6	±0.2	<b>Dosin Industrial(H.K)Co.Ltd</b> 东莞市德索五金电子制品有限公司 Dosin Hardware Electronics Co.,Ltd E-mail:dosin2005@163.com dosin2005@dosin-china.com Web:http://www.china-guan.com TEL:(0086)769-81153906 FAX:(0086)769-81875836		
2	CHMPING	BRASS	NICKEL	1			6-30	±0.3			
3	SHELL	BRASS	GOLD	1			30-120	±0.5			
4	PIN	BRASS	GOLD	1			Angular	±2°			
5	BODY	BRASS	GOLD	1							
6					DRAWN	2012/04/10	View		Name: SMB CONNECTOR		
7					Zelin. Zhang						
8					CHECKED		UNIT	MM	SIZE	Product NO.	REV
9									A	DOSIN-807-0001	A
10					APPROVALS		SCALE	1:1	DateTime	CAD FILE	
NO	Component Number	Material	Finish	QTY	John Kine	12/04.2012			2012/04/10	D/company drawings/BD	SHEET: 1 OF 1