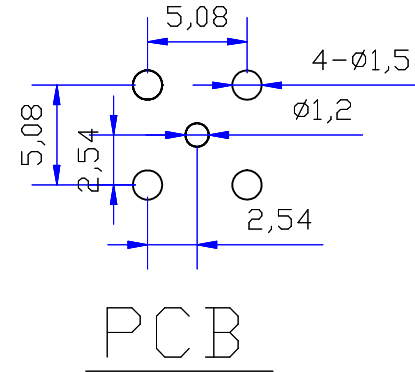
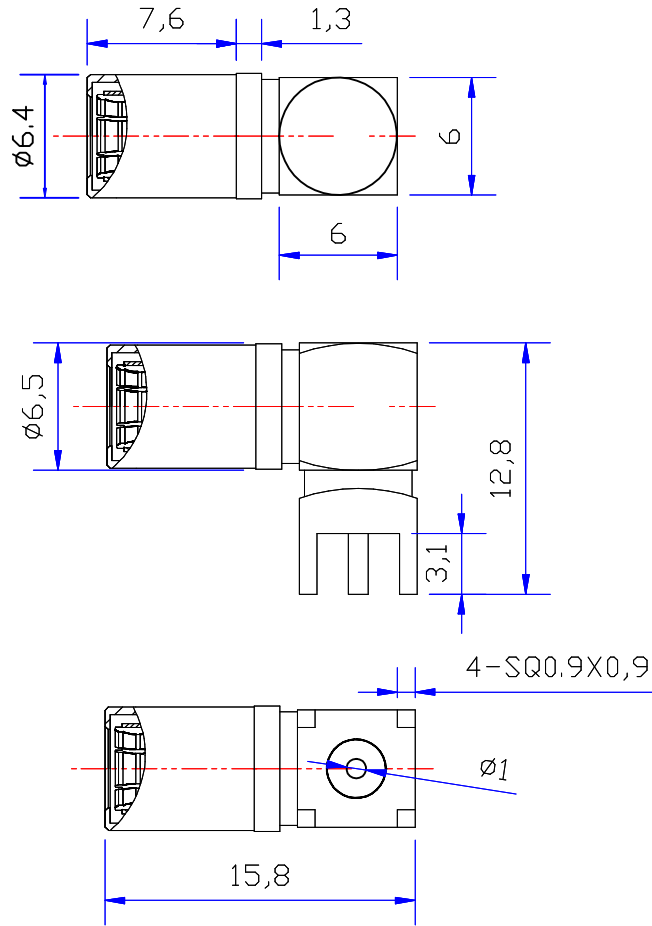




Customer NO:		DOSIN-807-0025		
REV	DESCRIPTION	DWN	DATE	APPROVEN
A	First issue	Mr. CHEN	2016/4/20	John kine
B				



NOTE:

DRAWN Zelin.chen

CHECKED

APPROVALS John Kine

Tolerance	X. ±0.15 X.X ±0.10 X.XX ±0.05 Angular ±5°
View	
UNIT	MM
SCALE	1:1

Dosin Industrial (H K) Co. Ltd 东莞市德索五金电子制品有限公司 Dosin Hardware Electronics Co., Ltd		E-mail: dosin2005@163.com dosin2005@dosin-china.com Web: http://www.dosinconn.com TEL: (0086) 769-81153906 FAX: (0086) 769-81875836	
Name: SMB PLUG FOR PCB CONNECTOR			
SIZE A	Product NO. DOSIN-807-0025	REV A	
DateTime 2016/4/20	CAD FILE H/company drawings/BD	SHEET: 1 OF 1	

1	CONTACT	BRASS	GOLD PLATED
1	INSULATOR	TEFLON	NONE
1	BODY	BRASS	GOLD PLATED
QTY	DESCRIPTION	MATERIAL	FINISH