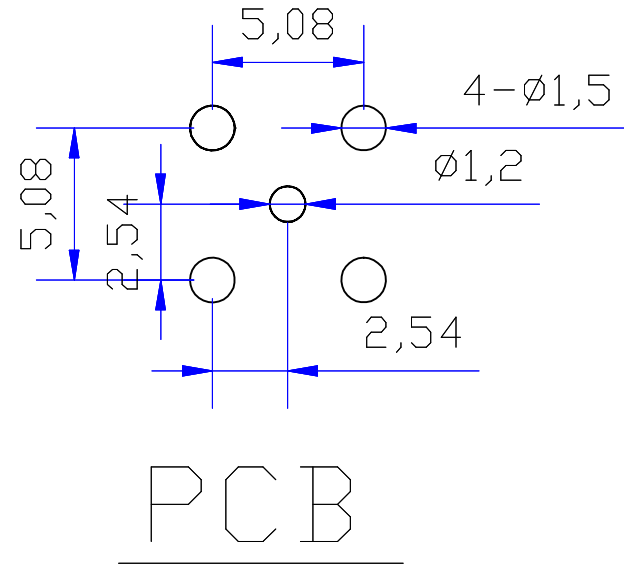
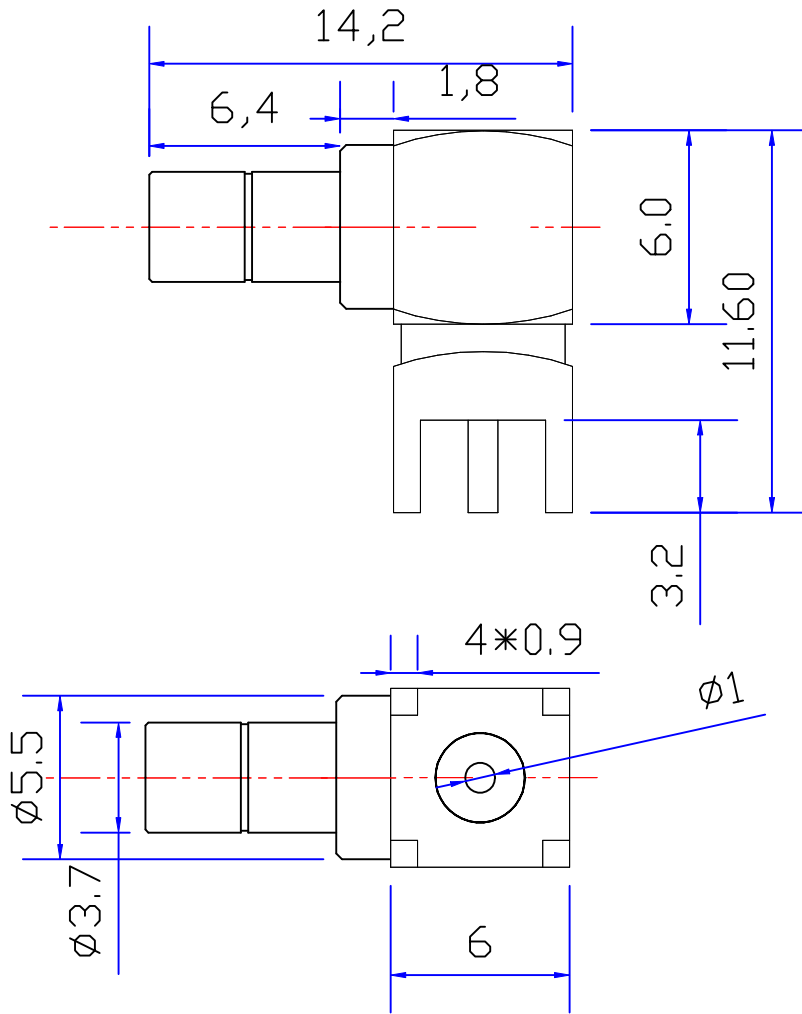




Customer NO:		DOSIN-807-0022		
REV	DESCRIPTION	DWN	DATE	APPROVEN
A	First issue	Mr. CHEN	2016/4/14	John kine
B				



PCB

5	DIELECTRIC	TEFLON	NONE	1
4	DIELECTRIC	TEFLON	NONE	1
3	PIN	BRASS	GOLD	1
2	BODY	BRASS	GOLD	1
1	BODY	BRASS	GOLD	1
NO	DESCRIPTION	MATERIAL	FINISH	QTY

NOTE:

DRAWN
Zelin. Zhang

CHECKED

APPROVALS
John Kine

Tolerance	X. ±0.15 X.X ±0.10 X.XX ±0.05 Angular ±5°
View	
UNIT	MM
SCALE	1:1

DOSIN Dosin Industrial (H K) Co. Ltd
 东莞市德索五金电子制品有限公司
 Dosin Hardware Electronics Co., Ltd

E-mail: dosin2005@163.com
 dosin2005@dosin-china.com
 Web: http://www.dosinconn.com
 TEL: (0086) 769-81153906
 FAX: (0086) 769-81875836

Name: SMB JACK FOR PCB CONNECTOR

SIZE A Product NO. DOSIN-807-0022 REV A

DateTime 2016/4/14 CAD FILE H/company drawings/BD SHEET: 1 OF 1