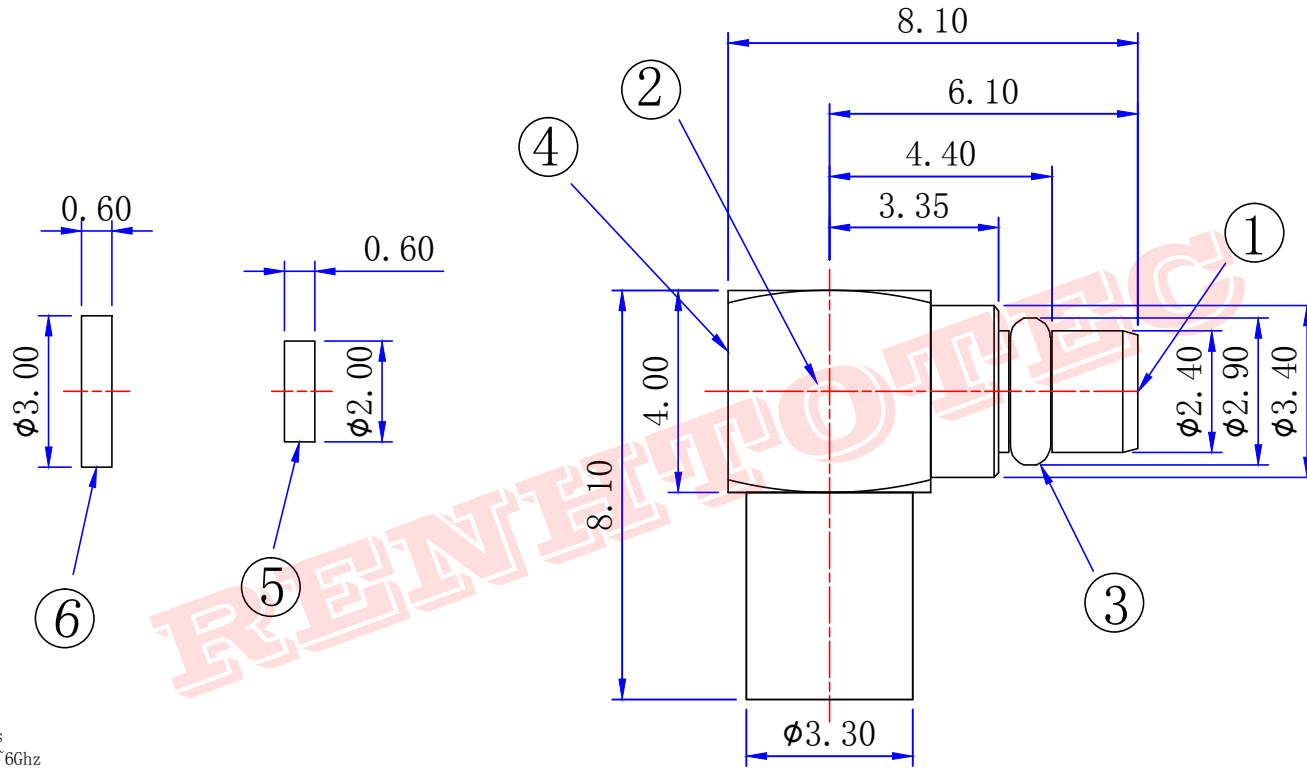
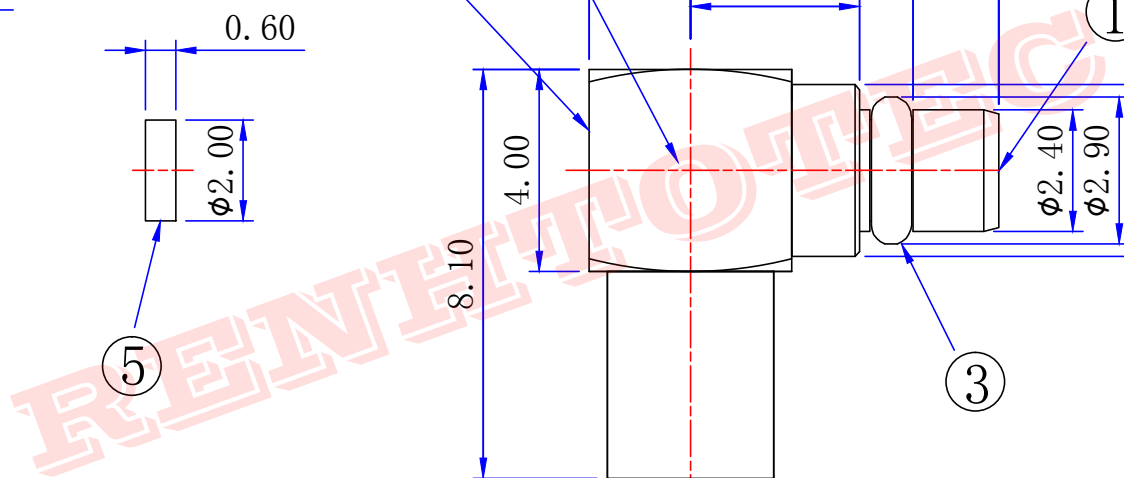




Product NO.		RHT-631-1011		
ISSUE	DESCRIPTION	DWN	DATE	APPROVEN
First	First issue	chen	2017/05/21	JIM. KING



Specifications
 Impedance: 50 Ohms
 Frequency Range: 0~6GHz
 VSWR: 1.25max
 Working Voltage: <170 Vrms @ sea level
 Insulation Resistance: 5000 Ohms min
 Temperature Range: -65°C TO +155°C
 Drawings products are in line with ROHS standards



NO	DESCRIPTION	MATERIAL	FINISH	QTY
6	COVER	BRASS	GOLD	1
5	INSULATOR	POM	NONE	1
4	BODY	BRASS	GOLD	1
3	LINK LOCK	BRASS	GOLD	1
2	INSULATOR	TEFLON	NONE	1
1	CENILATOR	BRASS	GOLD	1

-TOLERANCES- UNLESS OTHERWISE SPECIFIED UNLESS OTHERWISE SPECIFIED TOLERANCES FOR MILLIMETERS ARE: 0.5 - 8mm ± 0.10mm 8 - 30mm ± 0.15mm 30 -120mm ± 0.20mm	RENHOTEC GROUP www.renhotec.com		PART DESCRIPTION: R/A MMCX PLUG CONNECTOR												
	Appr: JIM. KING Check: Draw: chen	P/N: RHT-631-1011 <table border="1"> <tr> <th>Date</th> <th>Scale</th> <th>Unit</th> <th>Type</th> <th>Page</th> </tr> <tr> <td>2018.05.21</td> <td>Free</td> <td>MM</td> <td>Z</td> <td>1/1</td> </tr> </table>					Date	Scale	Unit	Type	Page	2018.05.21	Free	MM	Z
Date	Scale	Unit	Type	Page											
2018.05.21	Free	MM	Z	1/1											