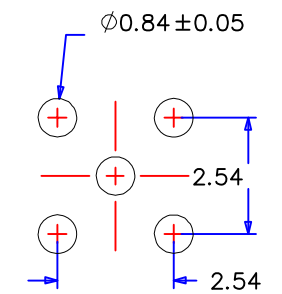
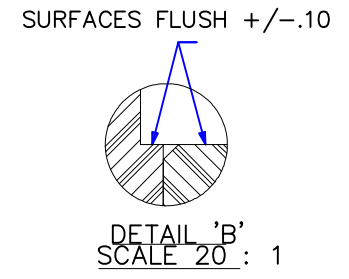
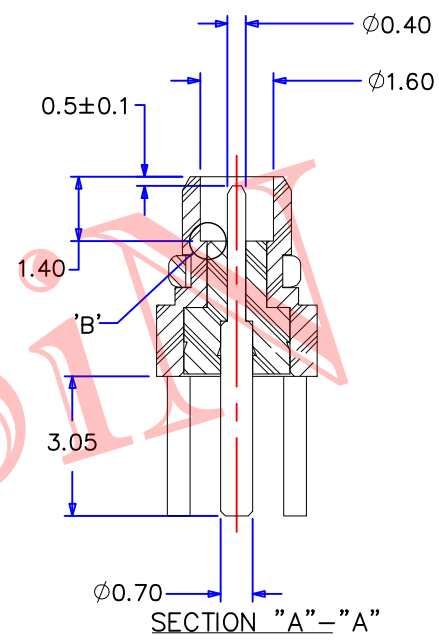


Product NO.		DOSIN-801-0029		
REV	DESCRIPTION	DWN	DATE	APPROVEN
A	First issue	JIM	2012/11/02	John kine



Specifications

Frequency Range:DC0~3G
 VSWR:1.3MAX
 Working Voltage:500V rms @ sea level
 Insulation Resistance:5000 Ohms min
 Temperature Range:-55°C T0 +155°C
 Relative Temperature:≤95%(40° C±2° C)
 Drawings products are in line with ROHS standards

NOTE:		Tolerance	0-6 ±0.15 6-30 ±0.20 30-120 ±0.5 Angular ±2°
DRAWN	2012/11/10	View	
Zelin. Zhang		UNIT	MM
CHECKED		SCALE	1:1
APPROVALS	12/04.2012	DateTime	2012/11/02
John		CAD FILE	D/company drawings/BD
King		SHEET:	1 OF 1

Dosin Industrial(H.K)Co.Ltd 东莞市德索五金电子制品有限公司 Dosin Hardware Electronics Co.,Ltd		E-mail:dosin2005@163.com dosin2005@dosing-china.com Web:http://www.dosinconn.com TEL:(0086)769-81153906 FAX:(0086)769-81875836	
Name:		MMCX JACK CONNECTOR	
SIZE	Product NO.	REV	
A	DOSIN-809-0029	A	
DateTime		SHEET: 1 OF 1	
2012/11/02			

C	INSULATOR	PTFE	NONE	1
B	CONTACT	BRASS	GOLD	1
A	BODY	BRASS	GOLD	1
NO	DESCRIPTION	MATERIAL	FINISHED	QTY