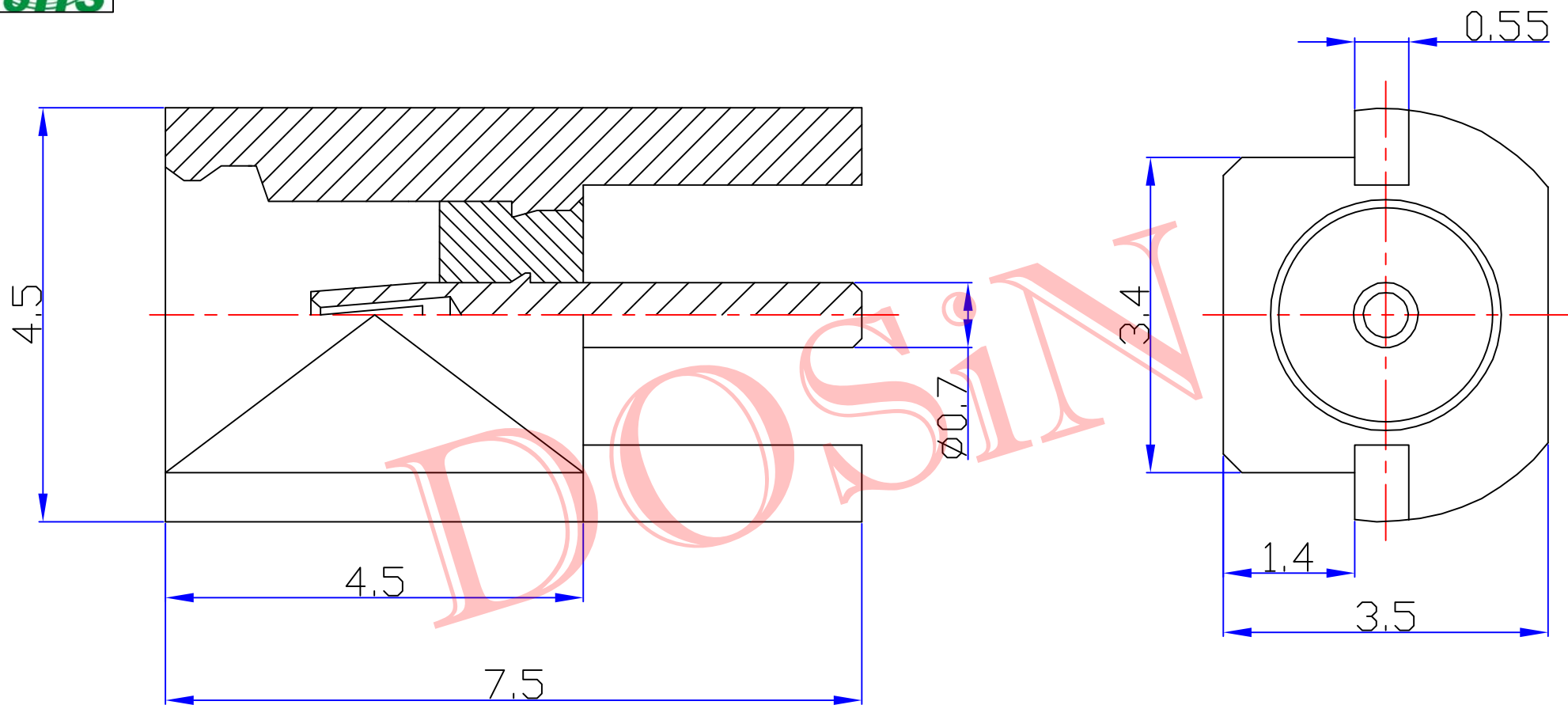




Product NO.		DOSIN-809-0031		
REV	DESCRIPTION	DWN	DATE	APPROVEN
A	First issue	JIM	2015/03/04	John kine



3	DIELECTRIC	TEFLON	NONE	1
2	PIN	PHOS BRONZE	GOLD	1
1	BODY	BRASS	GOLD	1
NO	DESCRIPTION	MATERIAL	FINISH	QTY

NOTE:		Tolerance	0-6 ±0.20 6-30 ±0.30 30-120 ±0.5 Angular ±2°
DRAWN	2015/03/04	View	
CHECKED		UNIT	MM
APPROVALS		SCALE	1:1

Dosin Industrial(H.K)Co.Ltd 东莞市德索五金电子制品有限公司 Dosin Hardware Electronics Co.,Ltd		E-mail:dosin2005@163.com dosin2005@dosin-china.com Web:http://www.dosinconn.com TEL:(0086)769-81153906 FAX:(0086)769-81875836	
Name:		MMCX JACK CONNECTOR	
SIZE	Product NO.	REV	
A	DOSIN-809-0031	B	
DateTime	CAD FILE	SHEET: 1 OF 1	
2012/11/02	D/company drawings/BD		