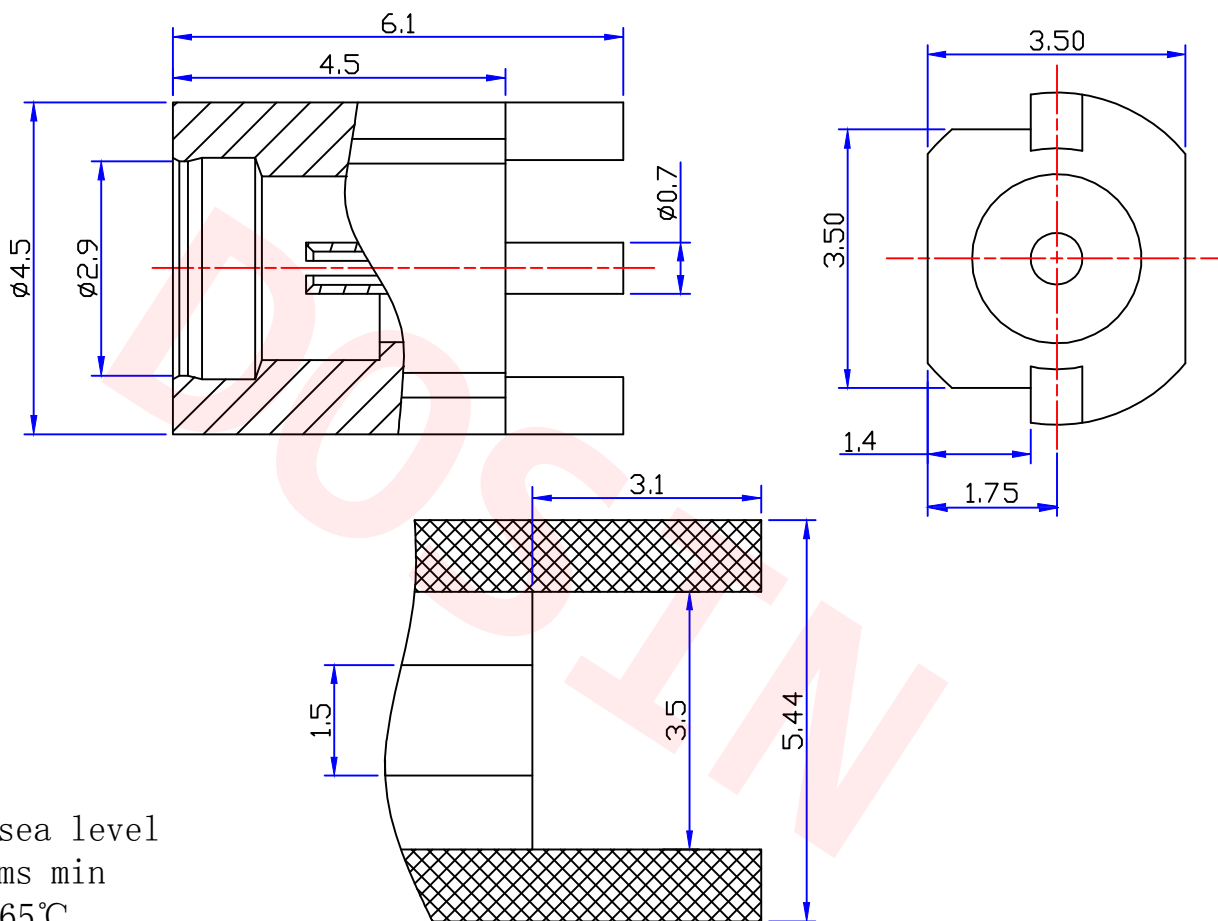




Product NO.		DOSIN-809-0001		
REV	DESCRIPTION	DWN	DATE	APPROVEN
A	First issue	Mr. CHEN	2012/05/12	John kine
B				



Specifications

Impedance: 50 Ohms

Frequency Range: 0~6Ghz

VSWR: 1.25max

Working Voltage: <170 V rms @ sea level

Insulation Resistance: 5000 Ohms min

Temperature Range: -65°C TO +165°C

Drawings products are in line with ROHS standards

1	Body	Brass	NICKEL	1
2	Insulation	Teflon	White	1
3	Pin	Brass	GOLD	1
4				
5				
6				
7				
8				
9				
10				
NO	Component Number	Material	Finish	QTY

NOTE:	
DRAWN	2012/05/12
Zelin. Zhang	
CHECKED	
APPROVALS	
John	12/05.2012

Tolerance	X. ± 0.10
	X. X ± 0.08
	X. XX ± 0.05
	Angular $\pm 5^\circ$
View	
UNIT	MM
SCALE	1:1

	Dosin Industrial(H.K)Co.Ltd	E-mail: dosin2005@163.com
	东莞市德索五金电子制品有限公司	dosin2005@dosin-china.com
	Dosin Hardware Electronics Co.,Ltd	Web: http://www.china-guan.com
		TEL: (0086)769-81153906
		FAX: (0086)769-81875836
Name: MMCX JACK PCB		
SIZE A	Product NO. DOSIN-809-0001	REV B
DateTime	CAD FILE	SHEET: 1 OF 1
2012/05/12	D/company drawings/BD	