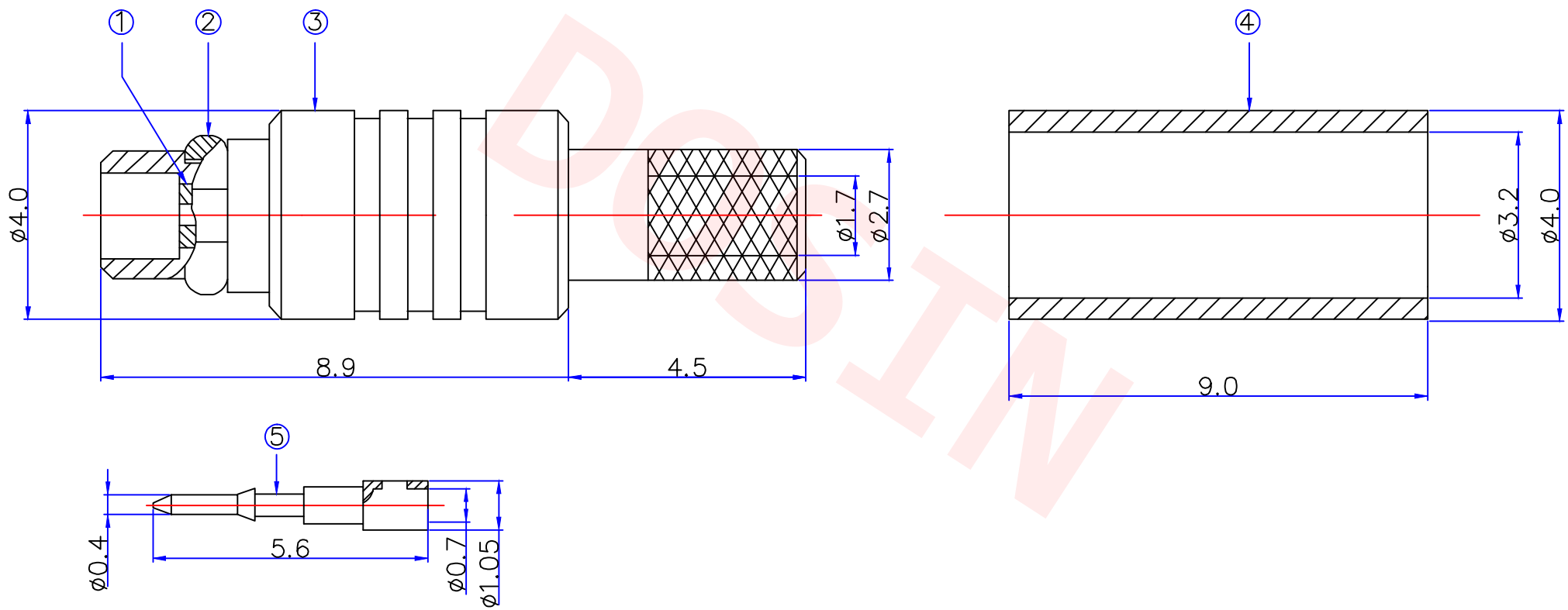




Product NO.		DOSIN-809-0004		
REV	DESCRIPTION	DWN	DATE	APPROVEN
A	First issue	Mr. CHEN	2012/05/12	John kine
B				



NOTE:		Tolerance	X. ±0.10 X.X ±0.08 X.XX ±0.05 Angular ±5°
DRAWN	2012/05/12	View	
Zelin. Zhang		UNIT	MM
CHECKED		SCALE	1:1
APPROVALS	12/05.2012		
John			

<b>Dosin Industrial(H.K)Co.Ltd</b> 东莞市德索五金电子制品有限公司 <b>Dosin Hardware Electronics Co.,Ltd</b>		E-mail:dosin2005@163.com dosin2005@dosing-china.com Web:http://www.china-guan.com TEL:(0086)769-81153906 FAX:(0086)769-81875836	
Name: MMCX PLUG FOR RG174 CABLE			
SIZE	Product NO.	DOSIN-809-0004	REV
A			B
DateTime	CAD FILE	SHEET: 1 OF 1	
2012/05/12	D/company drawings/BD		

NO	DESCRIPTION	MATERIAL	FINISH	Q'TY
5	CENTER CONTACTION	BRASS	GOLD PLATED	1
4	FERRULE	BRASS	GOLD PLATED	1
3	BODY	BRASS	GOLD PLATED	1
2	LINK LOCK	BERYLLIUM COPPER	GOLD PLATED	1
1	INSULATOR	TEFLON		1