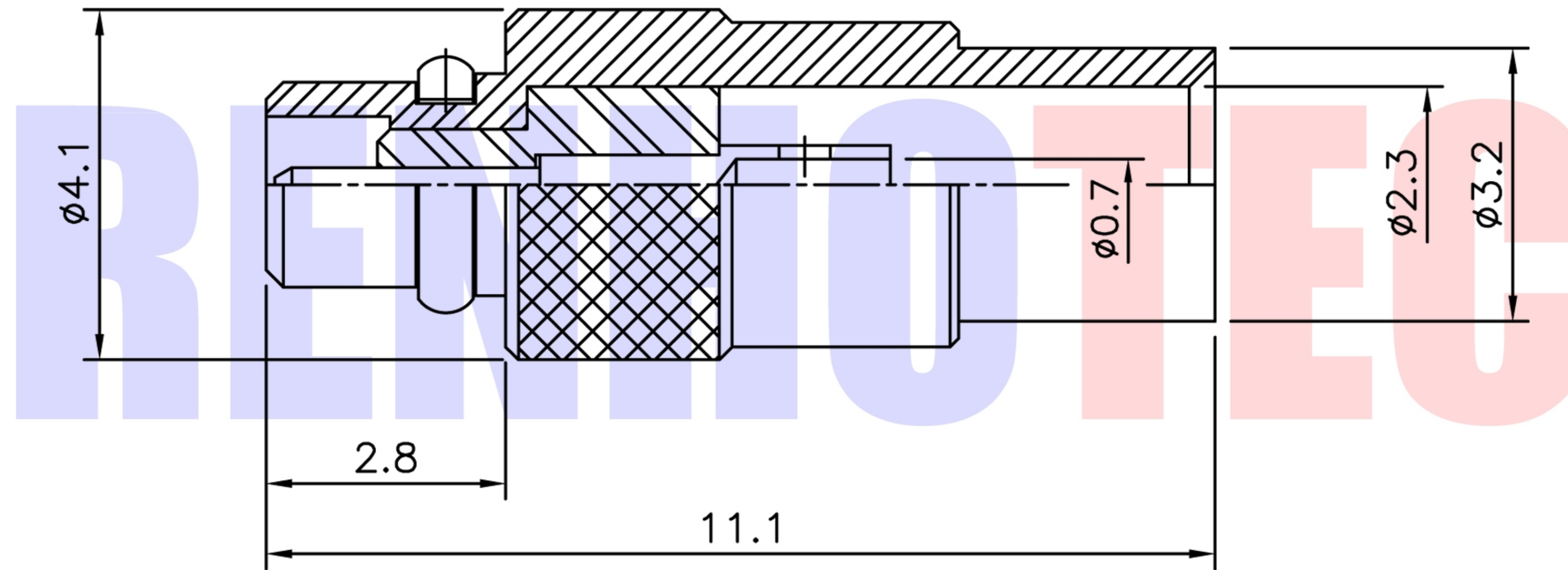




**SPECIFICATIONS**

Impedance ; 50Ω  
 Frequency range ; DC ~ 6GHz  
 Contact current ; DC 1.0A max  
 Voltage rating ; 170V rms  
 Insulation resistance ; 1000MΩ min.  
 V.S.W.R ; ≤1.2 at 6GHz  
 Temperature range ; -55°C to +155°C

Product NO.	Renhotec-631-0101			
REV	DESCRIPTION	DWN	DATE	APPROVEN
A	First issue	Mr. Wang	2017/2/24	John kine



Item	Materials	Plating
Body	Brass	Gold Plated
C-Ring	Beryllium copper	Gold Plated
Center contact	Brass	Gold Plated
Insulator	PTFE	-

NOTE:		Tolerance	0-6 ±0.10
			6-30 ±0.20
			30-120 ±0.30
			Angular ±2°
DRAWN	Zelin. Zhang	2017/2/24	View
CHECKED			
APPROVALS		2017/2/24	SCALE
John Kine			



**RENHOTEC GROUP**

Name: MMCX Straight Plug for Cable-UT086

SIZE	Product NO.	REV
A	RHT-631-0101	B
DateTime	CAD FILE	SHEET: 1 OF 1
2017/2/24	D/company drawings/BD	