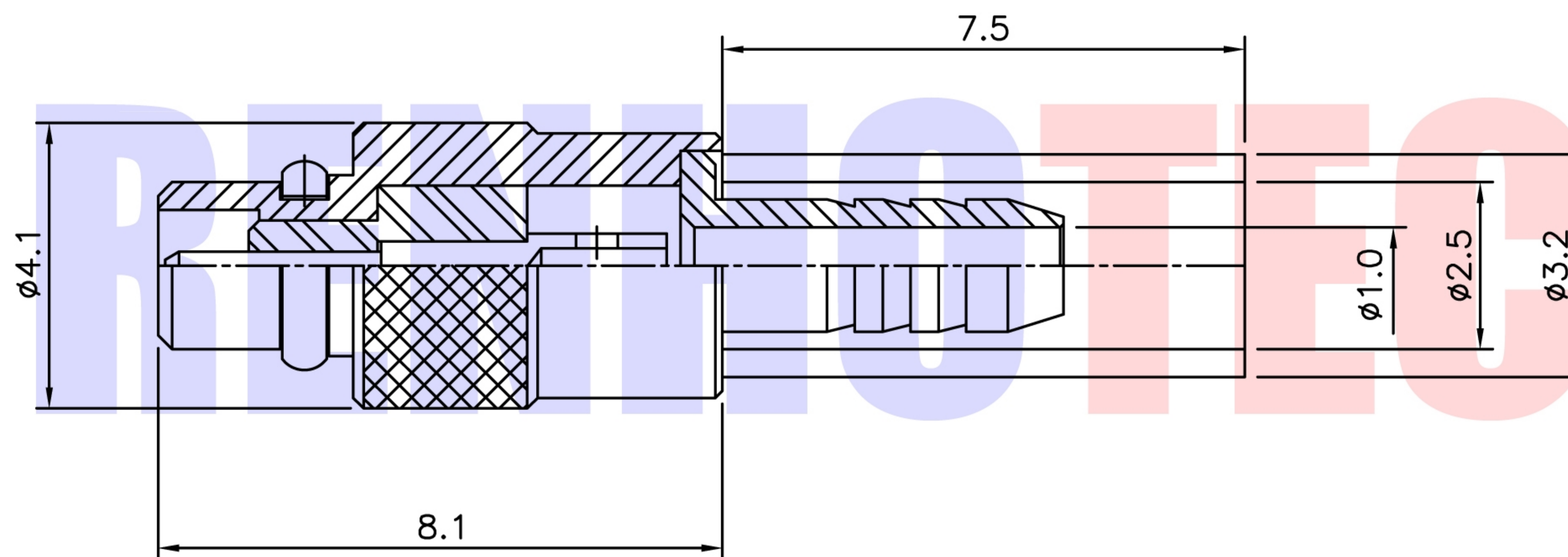




**SPECIFICATIONS**

Impedance ; 50ohm  
 Frequency range ; DC~6GHz  
 V.S.W.R : 1.3:1max @6GHz  
 Working voltage : 170 VRMS  
 Temperature range : -55°C to +155°C

Product NO.	Renhotec-631-0102			
REV	DESCRIPTION	DWN	DATE	APPROVEN
A	First issue	Mr. Wang	2017/2/24	John kine



Item	Materials	Plating
Body	Brass	Gold Plated
C-Ring	Be-Cu	Gold Plated
Center contact	Brass	Gold Plated
Ferrule	Brass	Gold Plated
Insulator	PTFE	-

NOTE :		Tolerance	0-6 ±0.10
			6-30 ±0.20
			30-120 ±0.30
			Angular ±2°
DRAWN		View	
Zelin. Zhang	2017/2/24		
CHECKED		UNIT	MM
APPROVALS		SCALE	1:1
John Kine	2017/2/24		



**RENHOTEC GROUP**

Name: MMCX Straight Plug -RG178			
SIZE A	Product NO. RHT-631-0102	REV B	
DateTime	CAD FILE	SHEET: 1 OF 1	
2017/2/24	D/company drawings/BD		