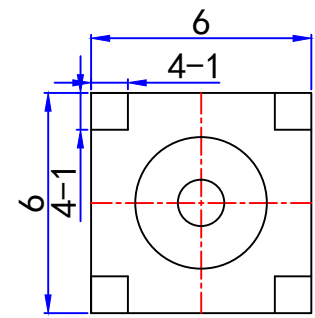
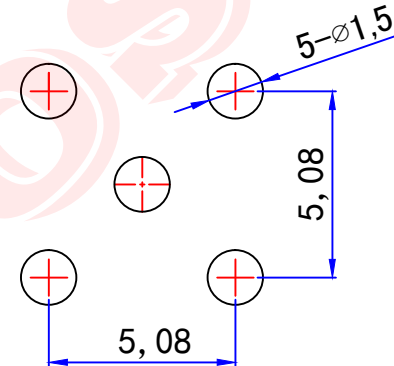
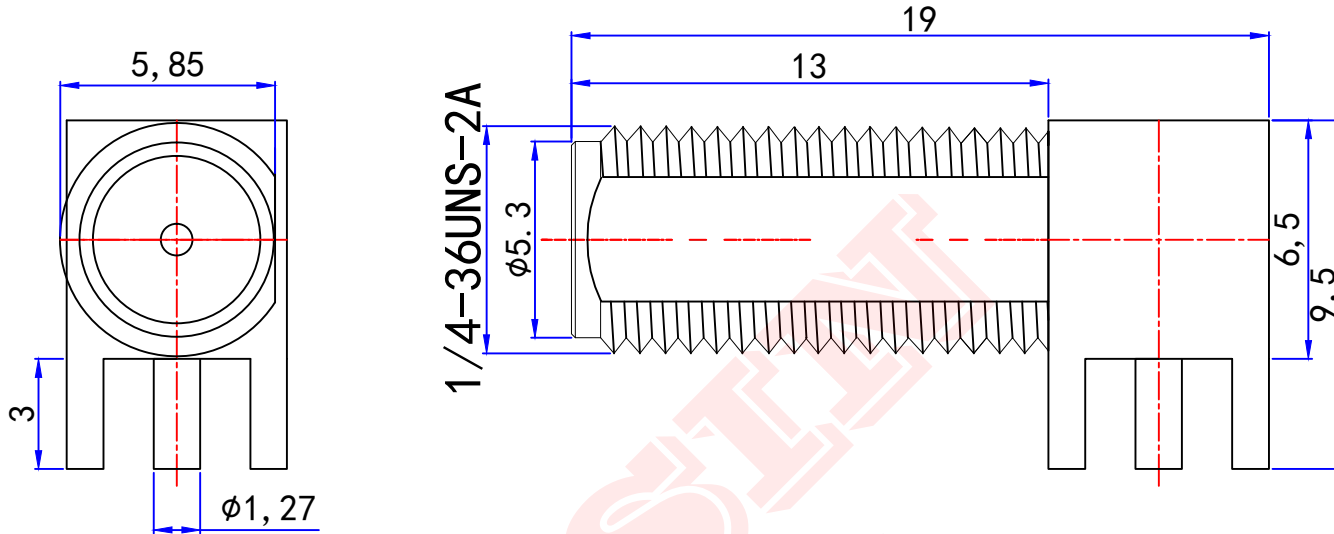




Customer NO:		DOSIN-806-0410		
REV	DESCRIPTION	DWN	DATE	APPROVEN
A	First issue	Mr. CHEN	2019/4/29	John kine
B				



Specifications:

IMPEDANCE: 50 Ohms
 Frequency range: 0~6GHZ
 VSWR: 1.5MAX
 Working voltage: 500V rms @ sea level
 Insulation resistance: 5000 Ohms min
 Temperature range: -55°C TO +155°C
 Relative temperature: ≤95% (40° C ± 2° C)

NOTE:		Tolerance	X. ±0.15 X.X ±0.10 X.XX ±0.05 Angular ±5°
DRAWN	Zelin. CHEN	View	
CHECKED		UNIT	MM
APPROVALS	John	SCALE	1:1

Dosin Industrial (H.K) Co. Ltd 东莞市德索五金电子制品有限公司 Dosin Hardware Electronics Co., Ltd		E-mail: dosin2005@163.com dosin2005@dosin-china.com Web: http://www.dosinconn.com TEL: (0086) 769-81153906 FAX: (0086) 769-81875836	
Name: SMA R/A Jack FOR PCB Connector			
SIZE A	Product NO.	DOSIN-806-00410	REV A
DateTime	CAD FILE	SHEET: 1 OF 1	
2019/4/29	H/company drawings/BD		

1	Body	Brass	GOLD
2	Insulator	TEFLON	White
3	Center contact	Brass	GOLD
4			
5			
6			
NO	Component Number	Material	Finish