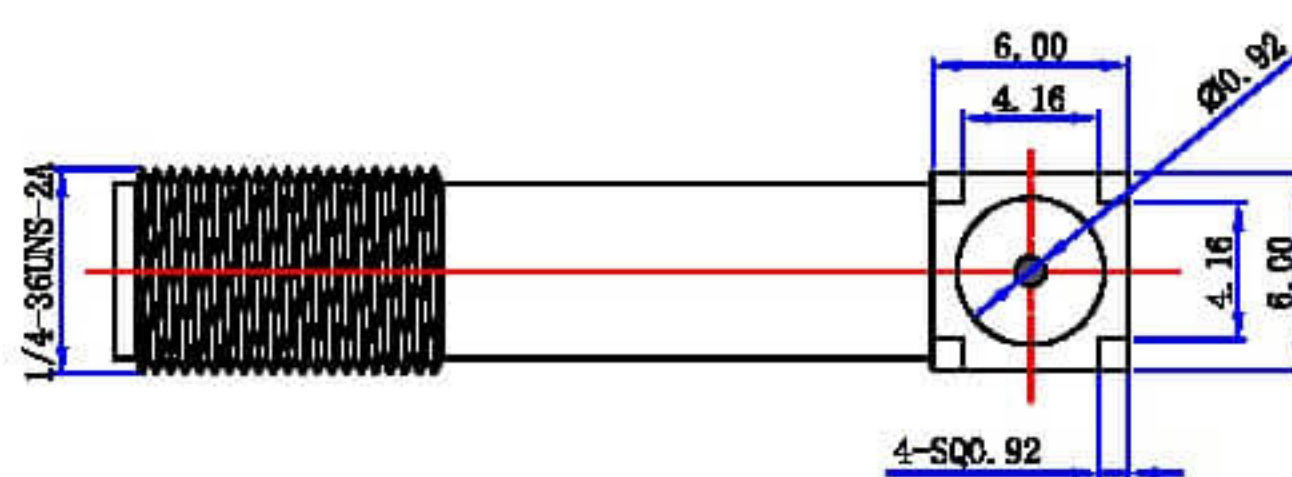
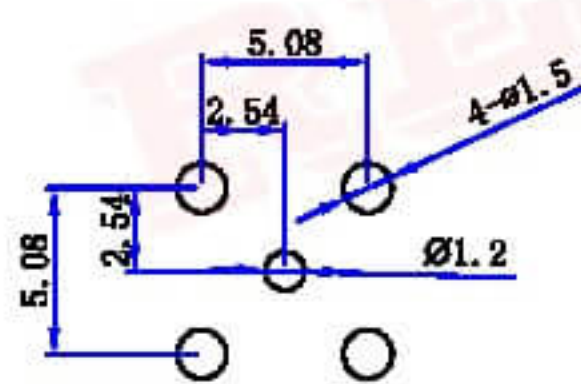
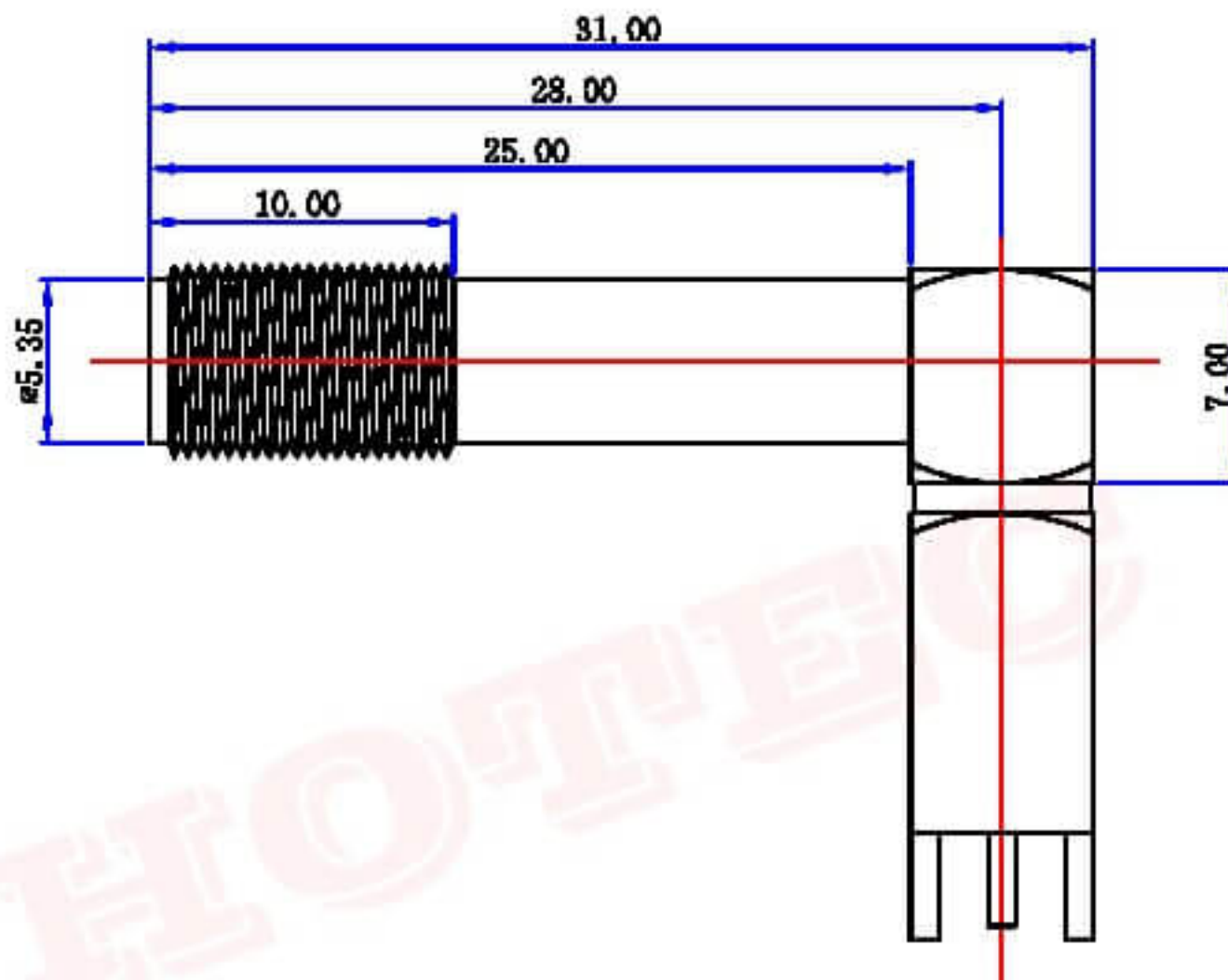
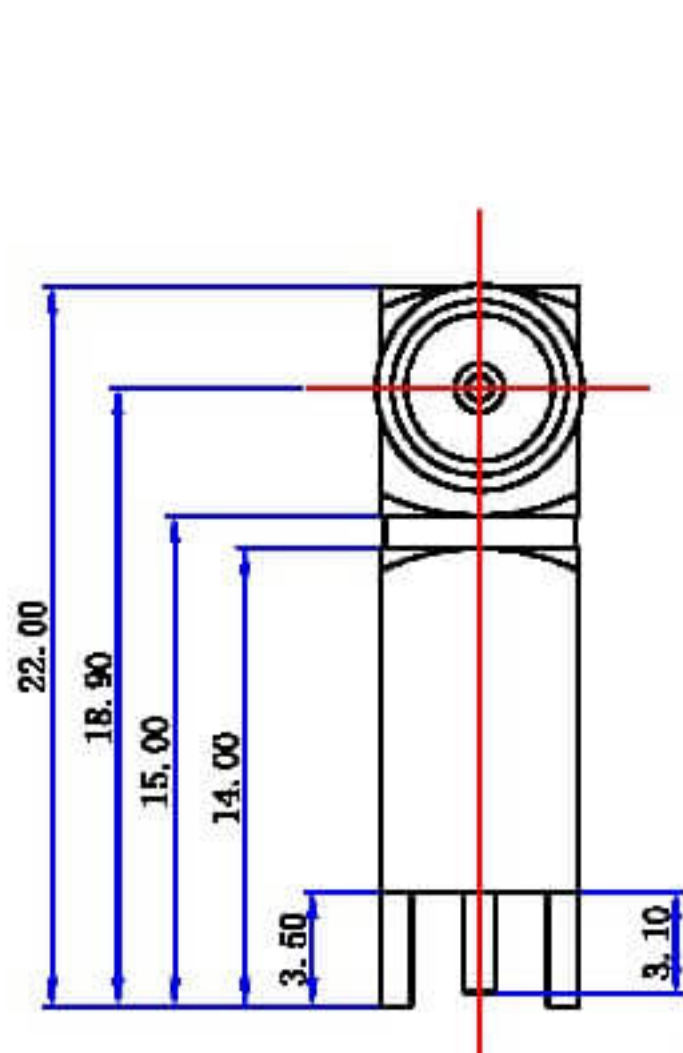




Product NO.		RHT-612-0507		
ISSUE	DESCRIPTION	DWN	DATE	APPROVEN
First	First issue	Gavin	2019/05/05	JIM KING



Specifications:
 IMPEDANCE: 50 Ohms
 Frequency range: 0~6GHz
 VSWR: 1.3MAX
 Working voltage: 500V rms @ sea level
 Insulation resistance: 5000 Ohms min
 Temperature range: -55°C TO +155°C
 Relative temperature: ≤95%(40° C±2° C)

PCB

-TOLERANCES- UNLESS OTHERWISE SPECIFIED UNLESS OTHERWISE SPECIFIED TOLERANCES FOR MILLIMETERS ARE: 0.5 - 3mm ± 0.15mm 3 - 30mm ± 0.20mm 30 - 120mm ± 0.30mm	RENHOTEC RENHOTEC GROUP www.renhotec.com	
	PART DESCRIPTION: SMA Jack Right angle PCB Mount P/N: RHT-612-0507	
Appr: JIM KING Check: Draw: Gavin	Date: 2019.05.05 Scale: Free Unit: MM	Type: Z Page: 1/1

NO	DESCRIPTION	MATERIAL	FINISH	QTY
3	PTW	BRASS	GOLD	1
2	INSULATOR	PTFE	WHITE	1
1	BODY	BRASS	GOLD	1