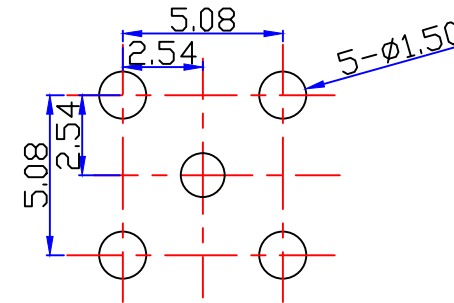
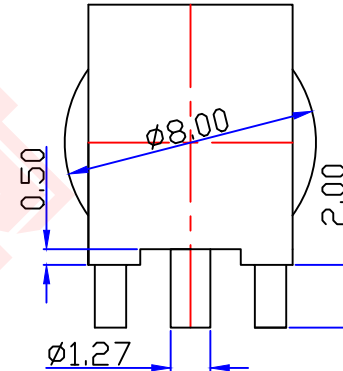
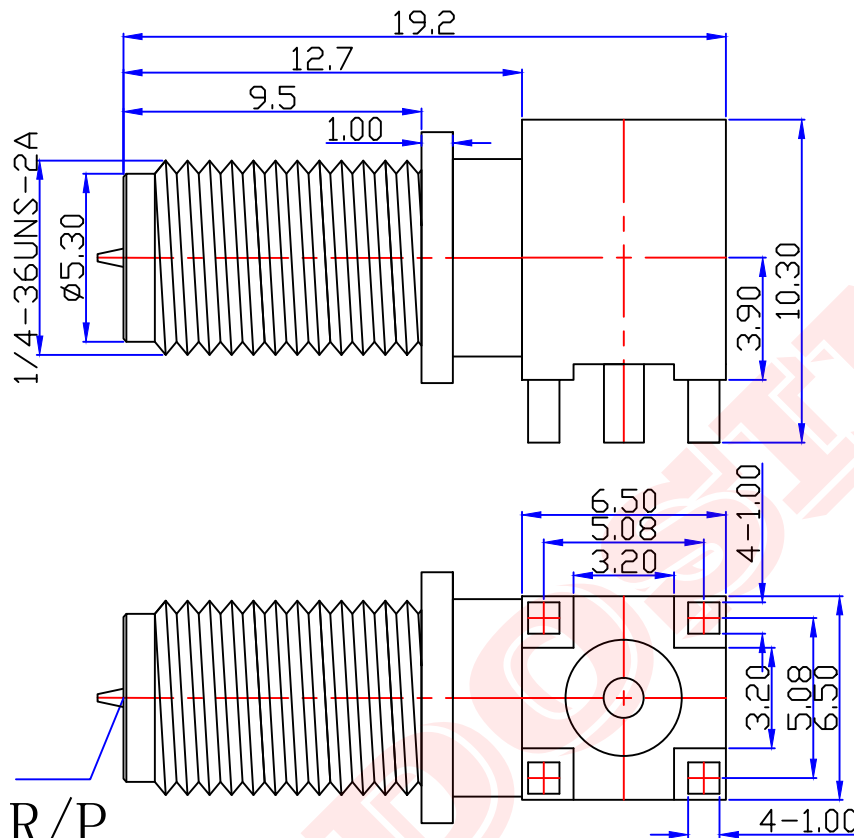




Customer NO:		DOSIN-806-0317		
REV	DESCRIPTION	DWN	DATE	APPROVEN
A	First issue	Mr. CHEN	2018/4/28	John kine
B				



PCB

Specifications:

IMPEDANCE: 50 Ohms
 Frequency range: 0~6GHZ
 VSWR: 1.5MAX
 Working voltage: 500V rms @ sea level
 Insulation resistance: 5000 Ohms min
 Temperature range: -65°C TO +165°C
 Relative temperature: ≤95%(40° C±2° C)

R/P

1	Body	Brass	NICKEL
2	Insulator	TEFLON	White
3	Center contact	Brass	GOLD
4			
5			
6			
NO	Component Number	Material	Finish

NOTE:		Tolerance	X. ±0.15
			X.X ±0.10
			X.XX ±0.05
			Angular ±5°
DRAWN	Zelin. CHEN	View	
CHECKED		UNIT	MM
APPROVALS	John	SCALE	1:1

Dosin Industrial (H.K) Co. Ltd 东莞市德索五金电子制品有限公司 Dosin Hardware Electronics Co., Ltd		E-mail: dosin2005@163.com dosin2005@dosin-china.com Web: http://www.dosinconn.com TEL: (0086) 769-81153906 FAX: (0086) 769-81875836	
Name: SMA R/A Jack R/P FOR PCB Connector			
SIZE A	Product NO.	DOSIN-806-0317	REV A
DateTime	2018/4/28	CAD FILE	H/company drawings/BD
			SHEET: 1 OF 1