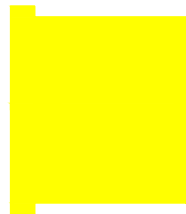
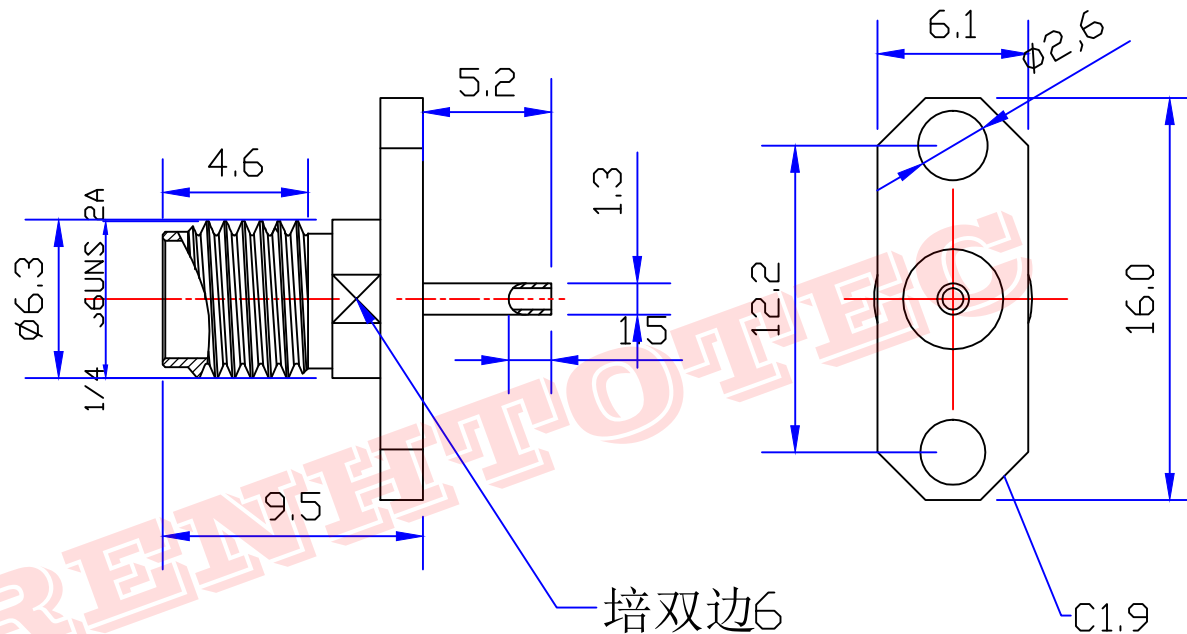




| | | | | |
|-------------|--------------|---------|----------|-----------|
| Product NO. | RHT-612-0320 | | | |
| REV | DESCRIPTION | DWN | DATE | APPROVEN |
| A | First issue | Mr:chen | 2017//13 | John kine |



防尘帽



Specifications:

IMPEDANCE: 50 Ohms
 Frequency range: 0~6GHZ
 VSWR: 1.5MAX
 Working voltage: 500V rms @ sea level
 Insulation resistance: 5000 Ohms min
 Temperature range: -55°C TO +155°C
 Relative temperature: ≤95% (40° C ± 2° C)

RENHOTEC

培双边6

C1.9

| | | | | | | | | | | |
|----|------------------|----------|----------|------------|------------|----------|-----------|---------------------------------------------------------------------------------|--------------------------|---------------|
| 1 | Shell | Brass | AU:1-3u" | NOTE: | Tolerance | 0-6 | ±0.10 | RENHOTEC GROUP www.renhotec.com | | |
| 2 | Body | Brass | AU:1-3u" | | | 6-30 | ±0.20 | | | |
| 3 | Insulator | TEFLON | White | | | 30-120 | ±0.30 | | | |
| 4 | | | | | | Angular | ±2° | | | |
| 5 | | | | DRAWN | 2017/02/ | View | | Name: SMA Jack | | |
| 6 | | | | Zelin.chen | 13 | | | | | |
| 7 | | | | CHECKED | | | | | | |
| 8 | | | | | | UNIT | MM | SIZE A | Product NO. RHT-612-0320 | REV A |
| 9 | | | | | | SCALE | 1:1 | | | |
| 10 | | | | APPROVALS | 13/02.2017 | DateTime | 2017/2/13 | CAD FILE | D/company drawings/BD | SHEET: 1 OF 1 |
| NO | Component Number | Material | Finish | John | Kine | | | | | |