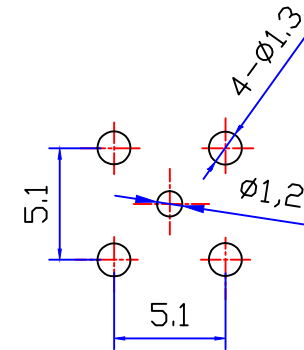
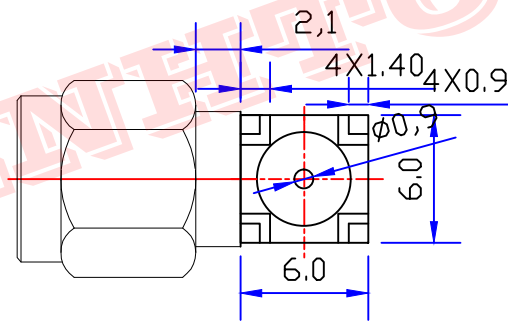
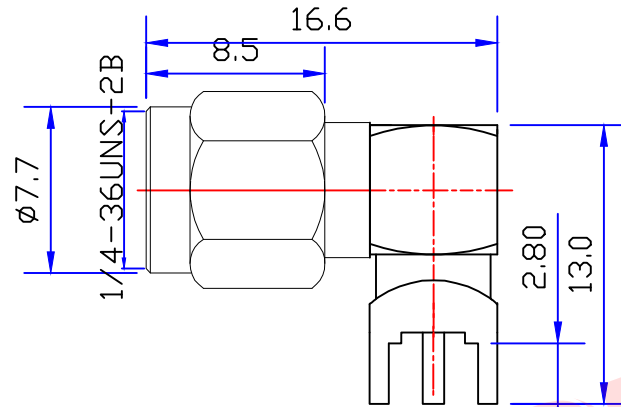




Product NO.	RHT-612-0394			
REV	DESCRIPTION	DWN	DATE	APPROVEN
A	First issue	Mr:chen	2017//13	John kine



Specifications:

IMPEDANCE: 50 Ohms
 Frequency range: 0~6GHZ
 VSWR: 1.5MAX
 Working voltage: 500V rms @ sea level
 Insulation resistance: 5000 Ohms min
 Temperature range: -55°C TO +155°C
 Relative temperature: ≤95% (40° C ± 2° C)

1	Shell	Brass	AU:1-3u"
2	Body	Brass	AU:1-3u"
3	Insulator	TEFLON	None
4			
5			
6			
7			
8			
9			
10			
NO	Component Number	Material	Finish

NOTE:		Tolerance	0-6 ±0.10 6-30 ±0.20 30-120 ±0.30 Angular ±2°
DRAWN	2017/02/13	View	
CHECKED		UNIT	MM
APPROVALS	13/02.2017	SCALE	1:1
John Kine			

		RENHOTEC GROUP	
Name: SMA PLUG Right angle PCB Mount			
SIZE	Product NO. RHT-612-0394	REV	
A		A	
Date	CAD FILE	SHEET: 1 OF 1	
Time	D/company drawings/BD		
2017/2/13			

1

2

Kine 3

4

5

6