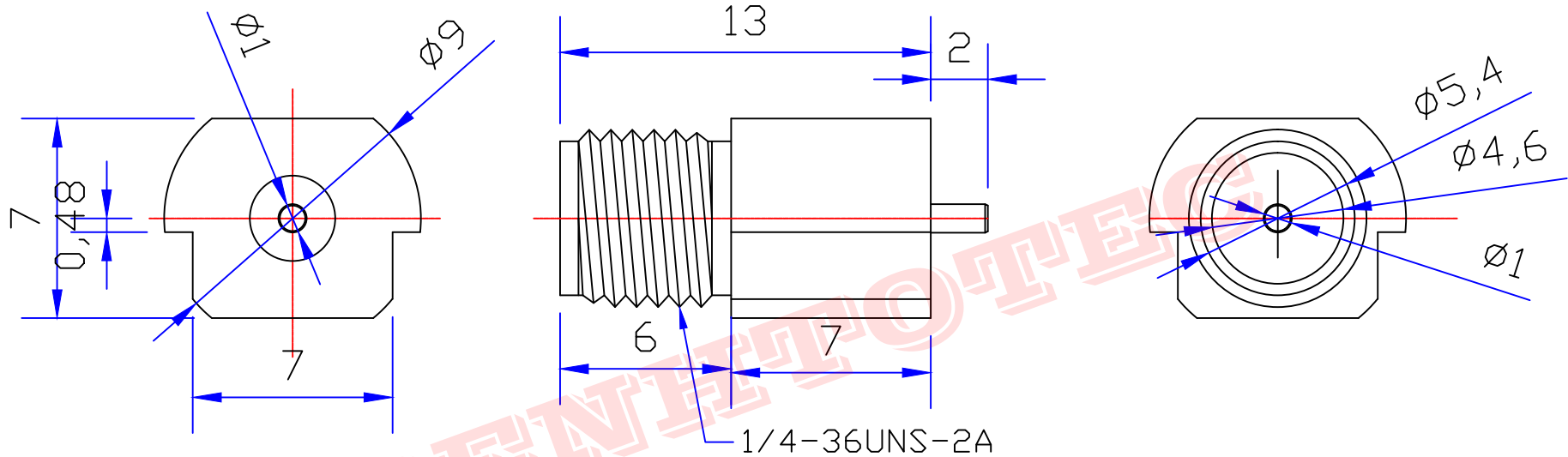


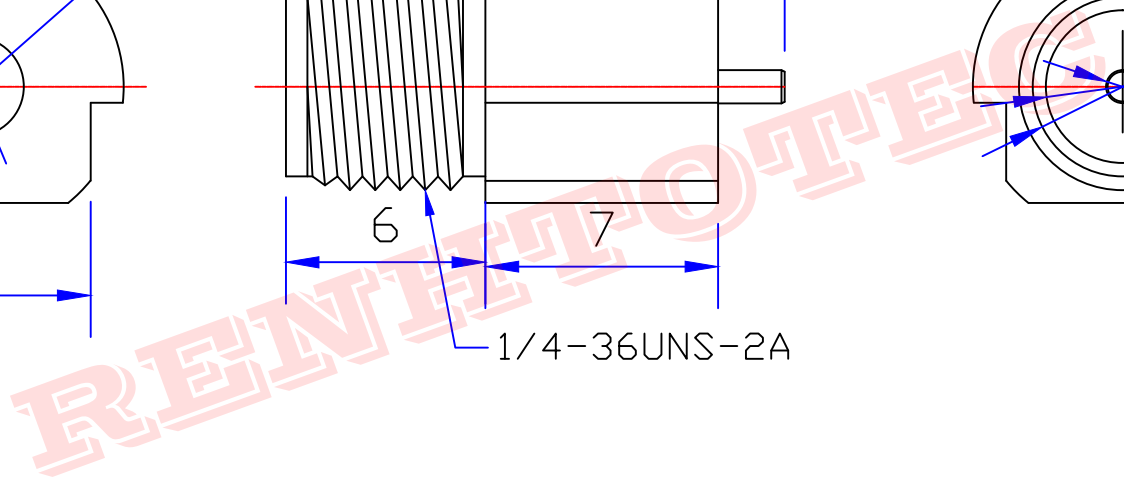


Product NO.	RHT-612-0382			
REV	DESCRIPTION	DWN	DATE	APPROVEN
A	First issue	Mr:chen	2017//13	John kine



Specifications:

IMPEDANCE: 50 Ohms
 Frequency range:0~6GHZ
 VSWR:1.5MAX
 Working voltage:500V rms @ sea level
 Insulation resistance:5000 Ohms min
 Temperature range:-55°C TO +155°C
 Relative temperature:≤95%(40° C±2° C)



1	Shell	Brass	AU:1-3u"	NOTE:	Tolerance	0-6	±0.10	RENHOTEC GROUP www.renhotec.com		
2	Body	Brass	AU:1-3u"			6-30	±0.20			
3	Insulator	TEFLON	White			30-120	±0.30			
4						Angular	±2°			
5				DRAWN	2017/02/	View		Name: SMA JACK CONNECTOR		
6				Zelin.chen	13					
7				CHECKED						
8						UNIT	MM	SIZE A	Product NO. RHT-612-0382	REV A
9										
10				APPROVALS	13/02.2017	SCALE	1:1	DateTime	CAD FILE	SHEET: 1 OF 1
NO	Component Number	Material	Finish	John				2017/2/13	D/company drawings/BD	
1				Kine						