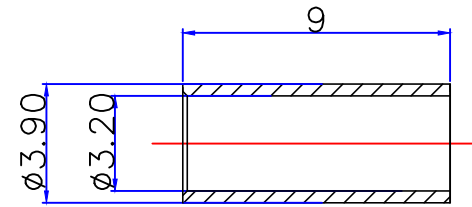
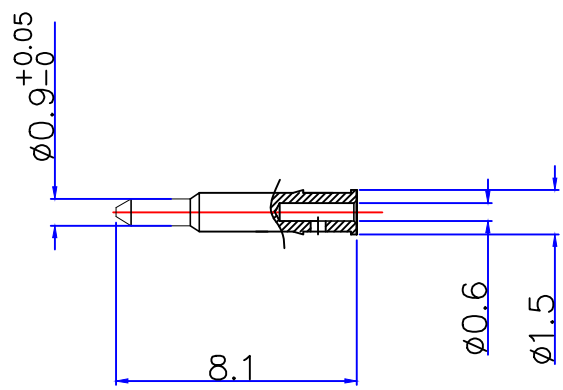
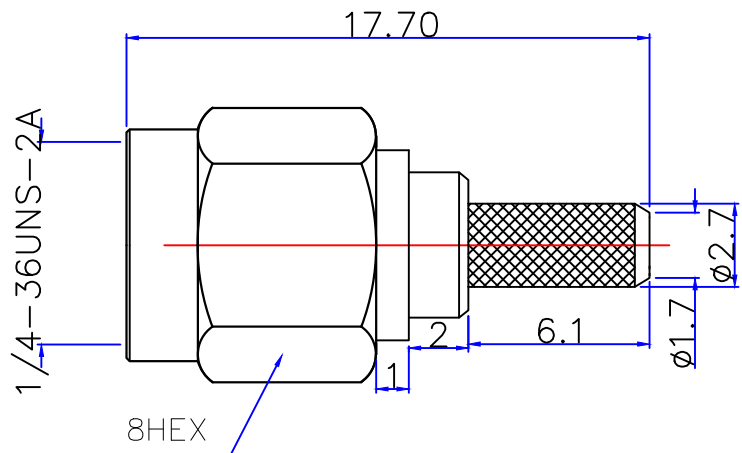




Customer NO:		DOSIN-806-0208		
REV	DESCRIPTION	DWN	DATE	APPROVEN
A	First issue	Mr. CHEN	2016/5/12	John kine
B				



Specifications:

- IMPEDANCE: 50 Ohms
- Frequency range: 0~6GHZ
- VSWR: 1.5MAX
- Working voltage: 500V rms @ sea level
- Insulation resistance: 5000 Ohms min
- Temperature range: -65°C TO +165°C
- Relative temperature: ≤95% (40° C ± 2° C)

8					
7					
6				1	
5				1	
4	FERRULE	BRASS	NICKEL	1	
3	CONTACT PIN	BER. COPPER	GOLD	1	
2	INSULATOR	TEFLON	WHITE	1	
1	BODY	BRASS	GOLD	1	
	DESCRIPTION	MATERIAL	FINISH	QTY	

NOTE:

DRAWN Zelin. CHEN

CHECKED John

APPROVALS John

Tolerance	X. ±0.15
	X. X ±0.10
	X. XX ±0.05
	Angular ±5°
View	
UNIT	MM
SCALE	1:1

DOSIN Dosin Industrial (H.K) Co. Ltd
 东莞市德索五金电子制品有限公司
 Dosin Hardware Electronics Co., Ltd

E-mail: dosin2005@163.com
 dosin2005@dosin-china.com
 Web: http://www.dosinconn.com
 TEL: (0086) 769-81153906
 FAX: (0086) 769-81875836

Name: SMA PLUG FOR RG316 RG174 CABLE

SIZE A Product NO. DOSIN-806-0208 REV A

DateTime 2016/5/12 CAD FILE H/company drawings/BD SHEET: 1 OF 1