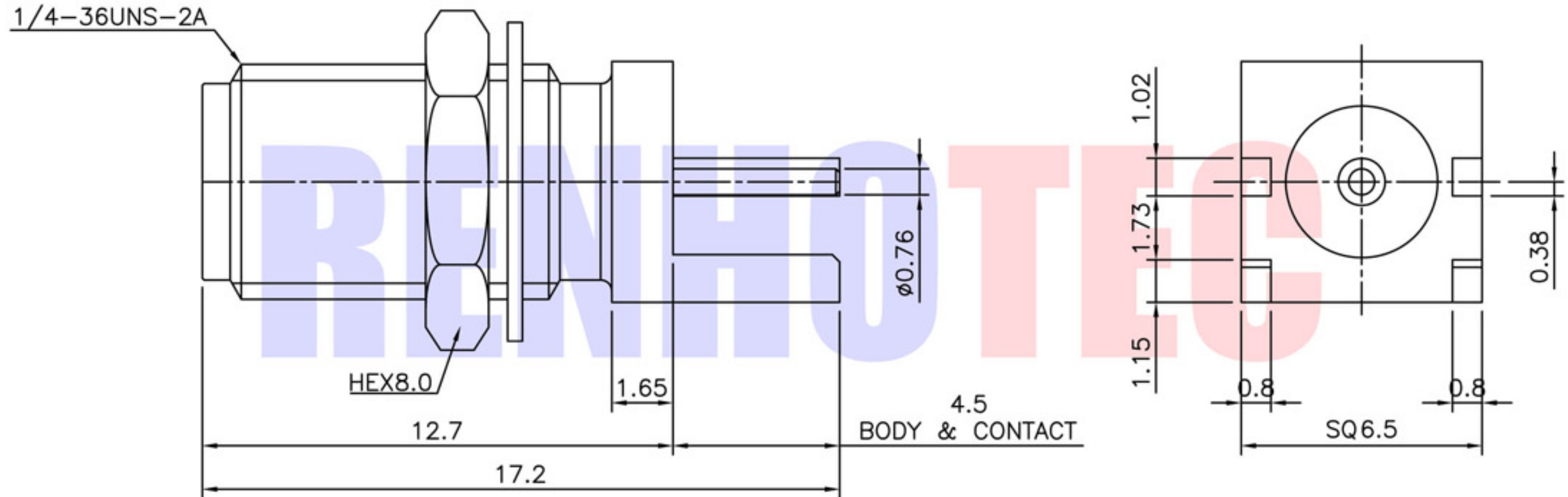




Product NO.	Renhotec-612-0274			
REV	DESCRIPTION	DWN	DATE	APPROVEN
A	First issue	Mr. Wang	2017/3/2	John kine



Connector parts	Materials	Finish
Body,Nut,Washer	Brass	Gold Plated
Center contact	BeCu	Gold Plated
Insulator	TEFLON	-

SMA End Launch Bulkhead Jack Receptacle
-Round Contact(1.60mm Board)

NOTE:		Tolerance	0-6 ±0.10 6-30 ±0.20 30-120 ±0.30 Angular ±2°	 www.renhotec.com		
DRAWN	2017/3/2					
Zelin. Zhang		View		Name: Edge Mount SMA Jack		
CHECKED		UNIT	MM	SIZE	Product NO. RHT-612-0274	REV
APPROVALS	2017/3/2	SCALE	1:1	A		B
John Kine				DateTime	CAD FILE	SHEET: 1 OF 1
				2017/3/2	D/company drawings/BD	