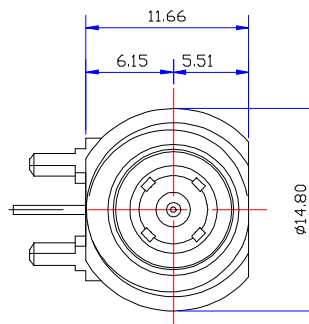
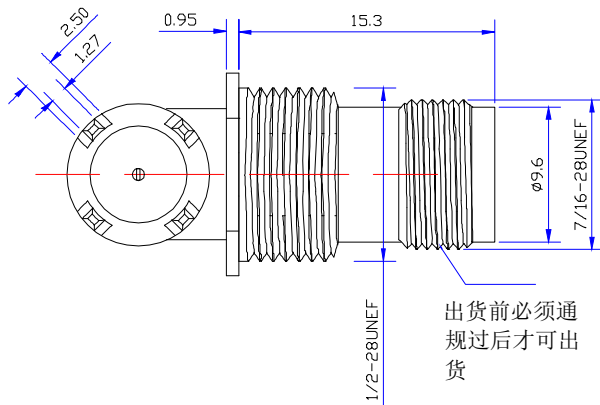




Product NO.		DOSIN-802-0057		
REV	DESCRIPTION	DWN	DATE	APPROVEN
A	First issue	Mr. chen	2017/12/03	
B				

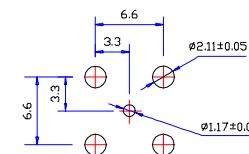
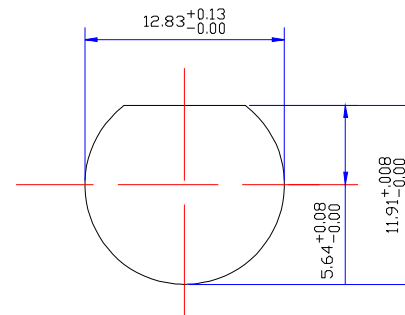
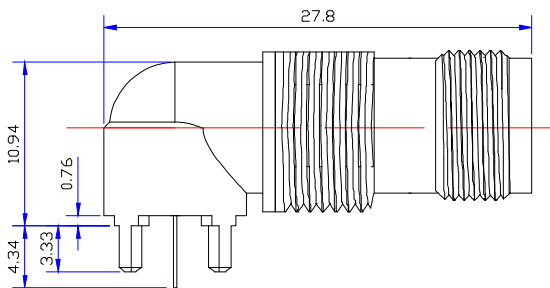


**产品要求:**

- 《1》吊重要求150g 10秒吊重10次 满足吊起150g
- 《2》PIN针吊重要求测试用1.32mm的公针测试。

**SPECIFICATIONS:**

Impedance: 50 Ohms  
 Frequency Range: DC~3G  
 VSWR: 1.5max  
 Working Voltage: 500v RMS @ SEA level  
 Insulation Resistance: 5000 Ohms min  
 Temperature Range: -40°C TO +110°C  
 Drawings products are in line with ROHS standards



PCB HOLE CONFIGURATION  
RECOMMENDED PANEL CUTOUTS

NOTE:		C Tolerance	X.	±0.15
DRAWN Zelin. CHEN			X. X	±0.10
CHECKED		View	X. XX	±0.05
APPROVALS			Angular	±5°
		UNIT	MM	
		SCALE	1:1	

**DOSIN** *Dosin Industrial (HK) Co. Ltd*  
 东莞市德索五金电子制品有限公司  
*Dosin Hardware Electronics Co., Ltd*  
 E-mail: dosin2005@163.com  
 dosin2005@dosin-china.com  
 Web: http://www.dosinconn.com  
 TEL: (0086) 769-81153906  
 FAX: (0086) 769-81875836

Name:		TNC R/A JACK FOR PCB CONNECTOR		
SIZE A	Product NO.	DOSIN-802-0057		REV A
DateTime	CAD FILE	H/company drawings/BD		SHEET: 1 OF 1
2017/12/03				

1	Body	Zinc-3#	NI:80-120u"
2	Contact pin	c17300	Gold:1-1.5u"
3	Insulation	POM PTFE	WHITE
4			
NO	Component Number	Material	Finish