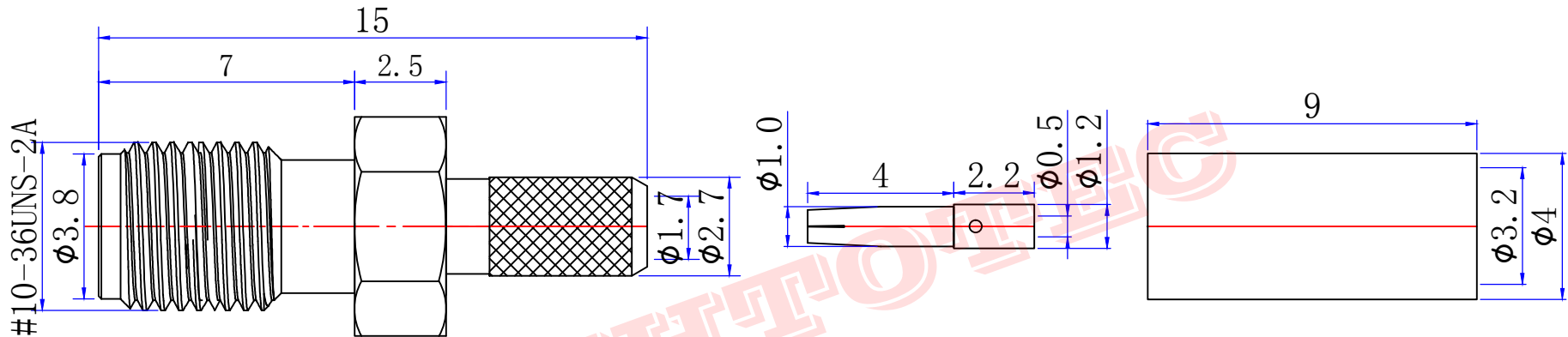




Product NO.	RHT-624-0003			
REV	DESCRIPTION	DWN	DATE	APPROVEN
A	First issue	Mr:chen	2017/2/13	John kine



Specifications:

IMPEDANCE: 50 Ohms
 Frequency range: 0~6GHZ
 VSWR: 1.5MAX
 Working voltage: 500V rms @ sea level
 Insulation resistance: 5000 Ohms min
 Temperature range: -55°C TO +155°C
 Relative temperature: ≤95% (40° C ± 2° C)

1	Body	Brass	gold	NOTE:	Tolerance	0-6	±0.10	 RENHOTEC GROUP www.renhotec.com		
2	Insulator	TEFLON	White			6-30	±0.20			
3	CONTACT PIN	BRASS	gold			30-120	±0.30			
4	FERRULE	BRASS	NICKEL			Angular	±2°			
5				DRAWN	2017/02/	View		Name: SSMA JACK FOR RG174 CABLE		
6				Zelin.chen	13					
7				CHECKED						
8						UNIT	MM	SIZE A	Product NO. RHT-624-0003	REV a
9						APPROVALS	13/02.2017			
10	Component Number	Material	Finish	John	13/02.2017	SCALE	1:1	2017/2/13	D/company drawings/BD	
	1	2	3	Kine	4	5	6			