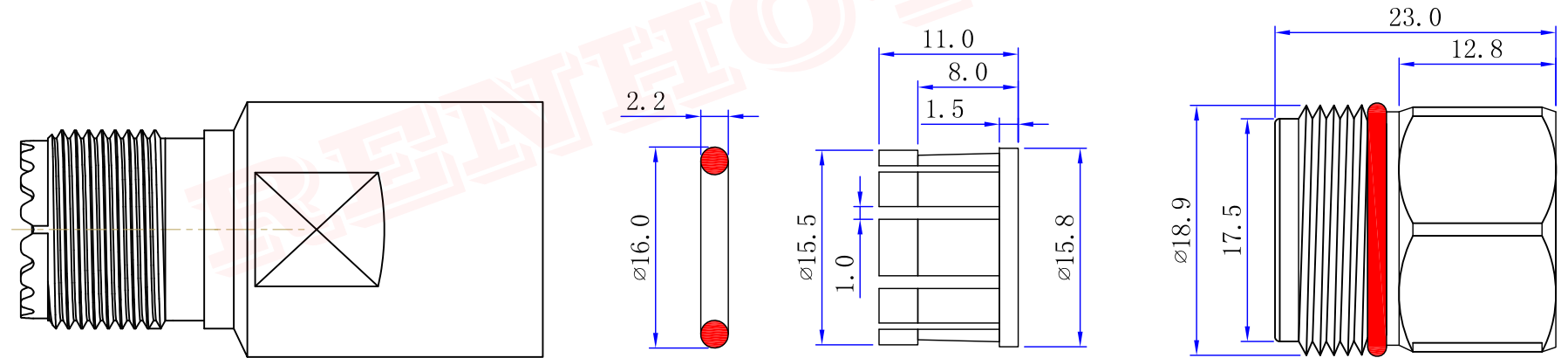
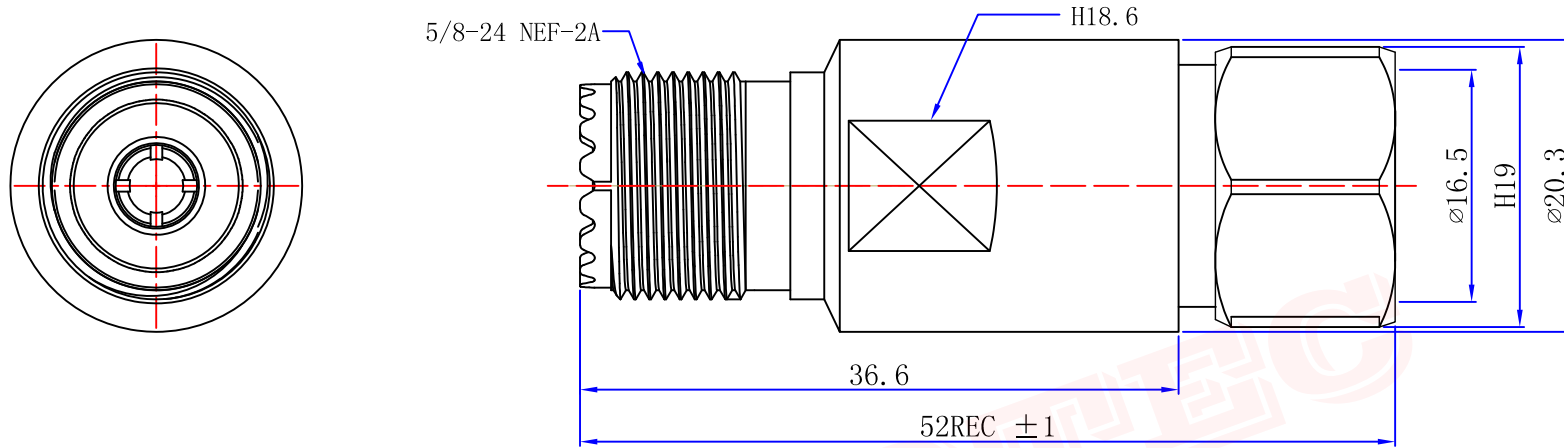




Product NO.		RHT-630-0126		
REV	DESCRIPTION	DWN	DATE	APPROVEN
A	First issue	Gavin	2018/07/18	JIM. KING



Specifications

Impedance: 50 Ohms
 Frequency Range: DC~3G
 VSWR: 1.3MAX
 Working Voltage: 500V rms @ sea level
 Insulation Resistance: 5000 Ohms min
 Temperature Range: -55°C TO +155°C
 Relative Humidity: ≤95% (40°C ±2°C)
 Drawings products are in line with ROHS standards

3	PIN	BRASS	SN	1
2	DIELECTRIC	TEFLON	NONE	1
1	BODY	BRASS	NICKEL	1
NO	DESCRIPTION	MATERIAL	FINISH	QTY

-TOLERANCES- UNLESS OTHERWISE SPECIFIED UNLESS OTHERWISE SPECIFIED TOLERANCES FOR MILLIMETERS ARE: 0.5 - 8mm ± 0.10mm 8 - 30mm ± 0.15mm 30 - 120mm ± 0.20mm	 www.renhotec.com	RENHOTEC GROUP PART DESCRIPTION: UHF PLUG FOR 1/2 CABLE				
	Appd: JIM. KING Check: Draw: Gavin	P/N: RHT-630-0126 Date: 2018.07.18 Scale: Free Unit: MM Type: Z Page: 1/1				