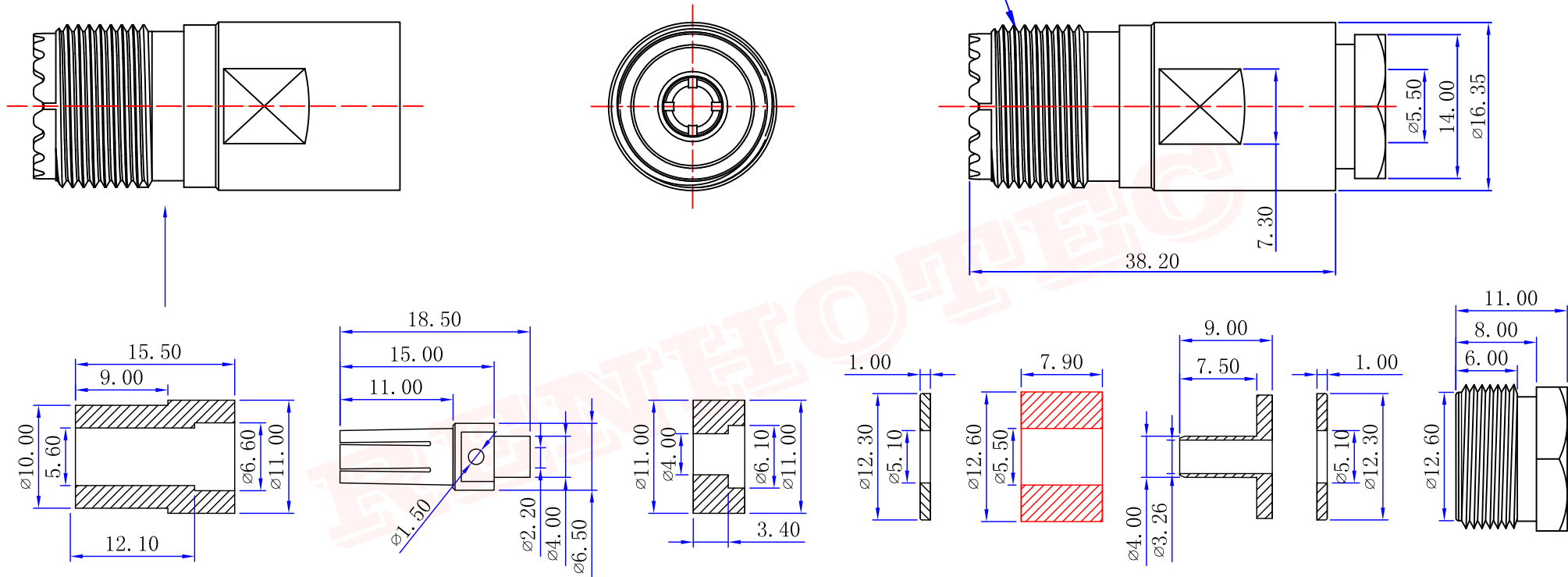




Product NO.		RHT-630-0105			
REV	DESCRIPTION	DWN	DATE	APPROVEN	
A	First issue	Gavin	2018/08/27	JIM. KING	

5/8-24 NEF-2A



Specifications

Impedance: 50 Ohms
 Frequency Range: DC~3G
 VSWR: 1.3MAX
 Working Voltage: 500V rms @ sea level
 Insulation Resistance: 5000 Ohms min
 Temperature Range: -55°C TO +155°C
 Relative Humidity: ≤95% (40°C ±2°C)
 Drawings products are in line with ROHS standards

3	PIN	BRASS	SN	1
2	DIELECTRIC	TEFLON	NONE	1
1	BODY	BRASS	NICKEL	1
NO	DESCRIPTION	MATERIAL	FINISH	QTY

-TOLERANCES- UNLESS OTHERWISE SPECIFIED	RENHOTEC GROUP www.renhotec.com	
	PART DESCRIPTION: UHF JACK FOR RG58 CABLE	
UNLESS OTHERWISE SPECIFIED TOLERANCES FOR MILLIMETERS ARE: 0.5 - 8mm ± 0.10mm 8 - 30mm ± 0.15mm 30 - 120mm ± 0.20mm	Appd: JIM. KING	P/N: RHT-630-0105
	Check:	Date: 2018.08.27
	Draw: Gavin	Scale: Free
	Unit: MM	Type: Z
	Page: 1/1	