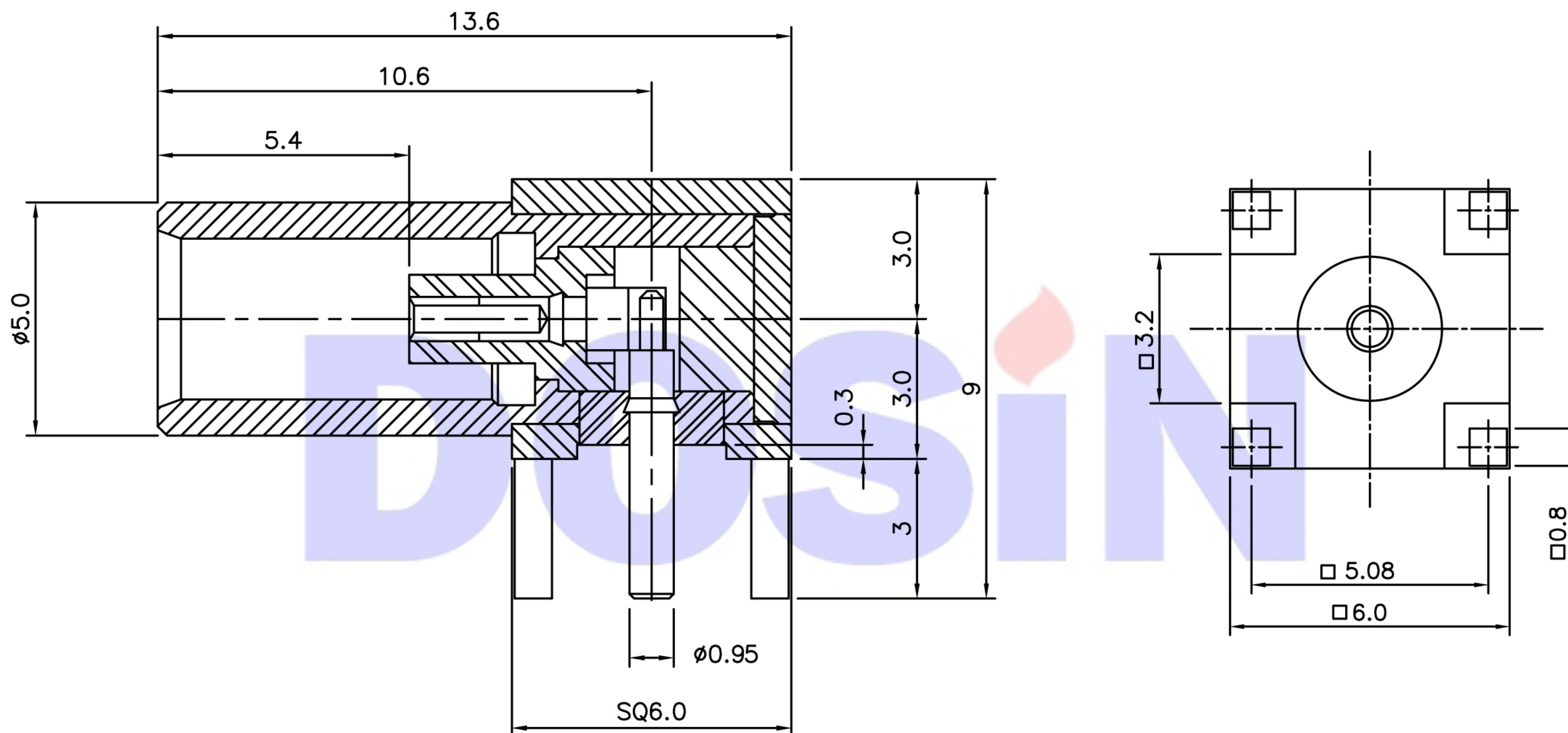




Product NO. DOSIN-809-1030

REV	DESCRIPTION	DWN	DATE	APPROVEN
A	First issue	JIM	2017. 3. 9	John kine



Item	Materials	Plating
Body	Brass	Gold Plated
Center contact	Be-Cu	Gold Plated
	Brass	Gold Plated
Insulator	PTFE	-

MCX Right Angle JACK PCB  
Special Type( Longer nose H=8.3mm)

NOTE:		Tolerance	0-6	$\pm 0.05$	<b>Dosin Industrial(H.K)Co.Ltd</b> 东莞市德索五金电子制品有限公司 <b>Dosin Hardware Electronics Co.,Ltd</b> E-mail:dosin2005@163.com dosin2005@dosin-china.com Web:http://www.dosinconn.com TEL:(0086)769-81153906 FAX:(0086)769-81875836
DRAWN			6-30	$\pm 0.10$	
Zelin. Zhang	2017. 3. 9	30-120	$\pm 0.20$		
CHECKED		Angular	$\pm 2^\circ$		
APPROVALS		View			Name: MCX R/A Jack PCB Special Type
John		UNIT	MM		SIZE A
SCALE		1:1		DateTime	Product NO. DOSIN-809-1030
				2017. 3. 9	REV B
				CAD FILE	
				D/company drawings/BD	SHEET: 1 OF 1