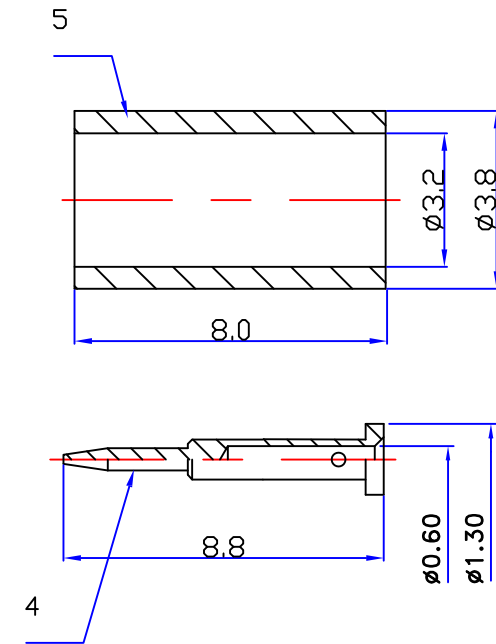
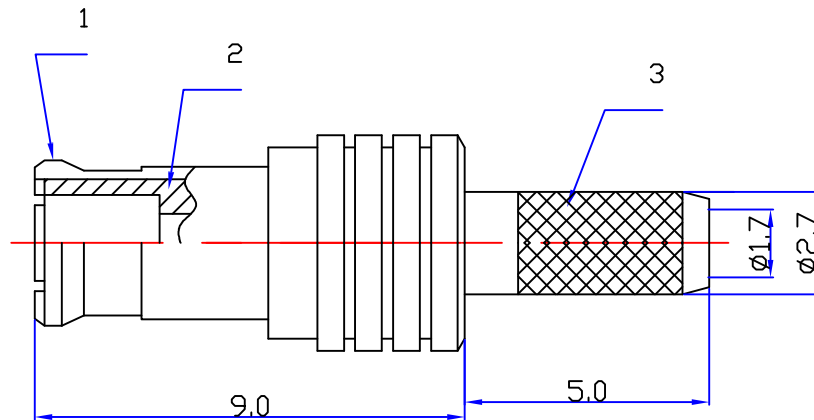




Product NO.		RHT-617-0068			
REV	DESCRIPTION	DWN	DATE	APPROVEN	
A	First issue	SAM	2016/08/22	JIM. KING	



Specifications:

IMPEDANCE: 50 Ohms
 Frequency range: 0~3GHZ
 VSWR: 1.5MAX
 Working voltage: 500V rms @ sea level
 Insulation resistance: 5000 Ohms min
 Temperature range: -55°C TO +155°C
 Relative temperature: ≤95% (40° C ± 2° C)

NO	DESCRIPTION	MATERIAL	FINISH	QTY
5	FERRULE	BRASS	NICKEL	1
4	CONTACT MALE	BRASS	GOLD	1
3	BODY	BRASS	GOLD	1
2	INSULATOR	TEFLON		1
1	BODY	BRASS	GOLD	1

-TOLERANCES- UNLESS OTHERWISE SPECIFIED		RENHOTEC GROUP	
		Title: MCX PLUG FOR RG316 CABLE	
0. ±0.15	0.° ±30°	Appd:	P/N: RHT-617-0068
0.0 ±0.10	0.0° ±25°	Check: Xiong Tan	Date
0.00 ±0.05	0.00° ±20°	Draw: Owen	Scale
		2016.08.22	Unit
		Free	Type
		MM	Page
		Z	1/1