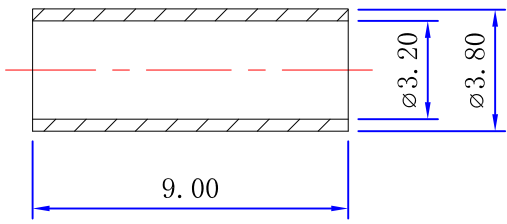
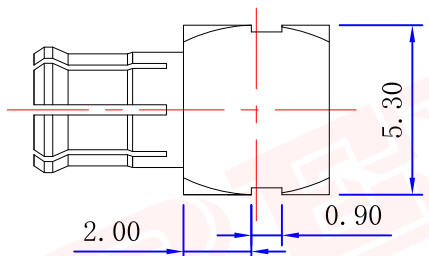
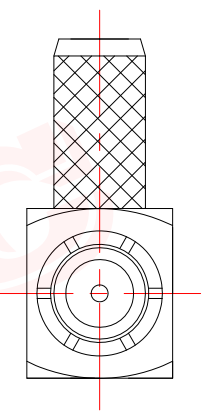
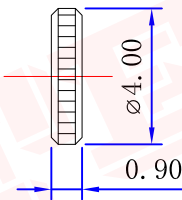
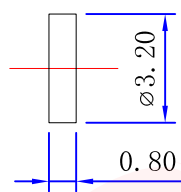
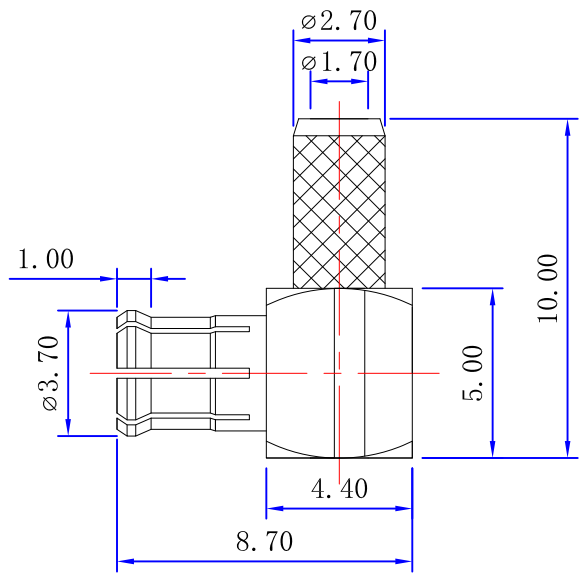




Product NO.		RHT-617-0150			
REV	DESCRIPTION	DWN	DATE	APPROVEN	
A	First issue	Gavin	2018/06/19	JIM. KING	



Specifications:
 IMPEDANCE: 50 Ohms
 Frequency range: 0~6GHZ
 VSWR: 1.3MAX
 Working voltage: 500 Vrms
 Insulation resistance: 5000 Ohms min
 Temperature range: -55°C TO +155°C
 Relative temperature: ≤95% (40° C ±2° C)

NO	DESCRIPTION	MATERIAL	FINISH	QTY
6	Casing	Brass	Nickel: 80u"	1
5	Cover	Brass	Gold: 1-1.5u"	1
4	Insulation pads	Teflon	White	1
3	Pin	Brass	Gold: 1-1.5u"	1
2	Insulator	Teflon	White	1
1	Body	Brass	Gold: 1-1.5u"	1

-TOLERANCES- UNLESS OTHERWISE SPECIFIED	RENHOTEC GROUP www.renhotec.com	
	PART DESCRIPTION: MCX R/A PLUG FOR RG316 CABLE	
UNLESS OTHERWISE SPECIFIED TOLERANCES FOR MILLIMETERS ARE: 0.5 - 8mm ± 0.10mm 8 - 30mm ± 0.15mm 30 - 120mm ± 0.20mm	Appd: JIM. KING	P/N: RHT-617-0150
	Check:	Date: 2018.06.19
	Draw: Gavin	Scale: Free
	Unit: MM	Type: Z
	Page: 1/1	