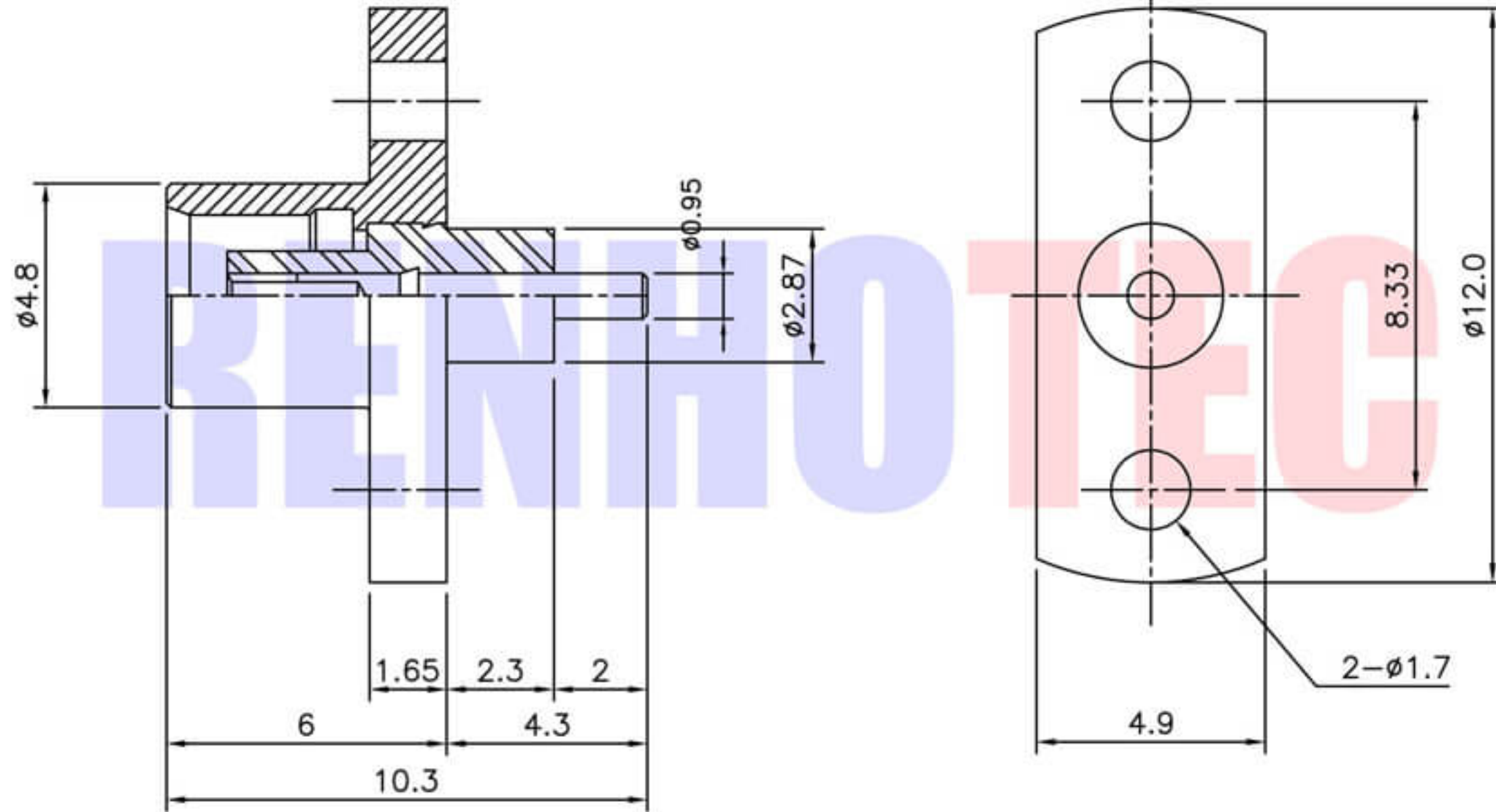




Electrical Data  
 Impedance : 50 OHm  
 Frequency range : DC~6 GHz  
 Contact current : DC 1.5A MAX.  
 Working voltage : 335V RMS  
 V.S.W.R : ≤1.20  
 Temperature range : -65

|             |                   |          |           |           |
|-------------|-------------------|----------|-----------|-----------|
| Product NO. | Renhotec-617-0121 |          |           |           |
| REV         | DESCRIPTION       | DWN      | DATE      | APPROVEN  |
| A           | First issue       | Mr. Wang | 2017/2/23 | John kine |



| Item           | Materials | Plating     |
|----------------|-----------|-------------|
| Body           | Brass     | Gold Plated |
| Center contact | Be-Cu     | Gold Plated |
| Insulator      | PTFE      | -           |

|                                  |  |           |         |       |
|----------------------------------|--|-----------|---------|-------|
| NOTE:                            |  | Tolerance | 0-6     | ±0.10 |
| DRAWN<br>Zelin. Zhang 2017/2/23  |  |           | 6-30    | ±0.20 |
| CHECKED                          |  | View      | 30-120  | ±0.30 |
| APPROVALS<br>John Kine 2017/2/23 |  |           | Angular | ±2°   |
|                                  |  | UNIT      | MM      |       |
|                                  |  | SCALE     | 1:1     |       |



**RENHOTEC GROUP**

Name: MCX 2 Hole Flange Mount Jack Receptacle

|                       |                                   |               |
|-----------------------|-----------------------------------|---------------|
| SIZE<br>A             | Product NO. RHT-617-0121          | REV<br>B      |
| DateTime<br>2017/2/23 | CAD FILE<br>D/company drawings/BD | SHEET: 1 OF 1 |