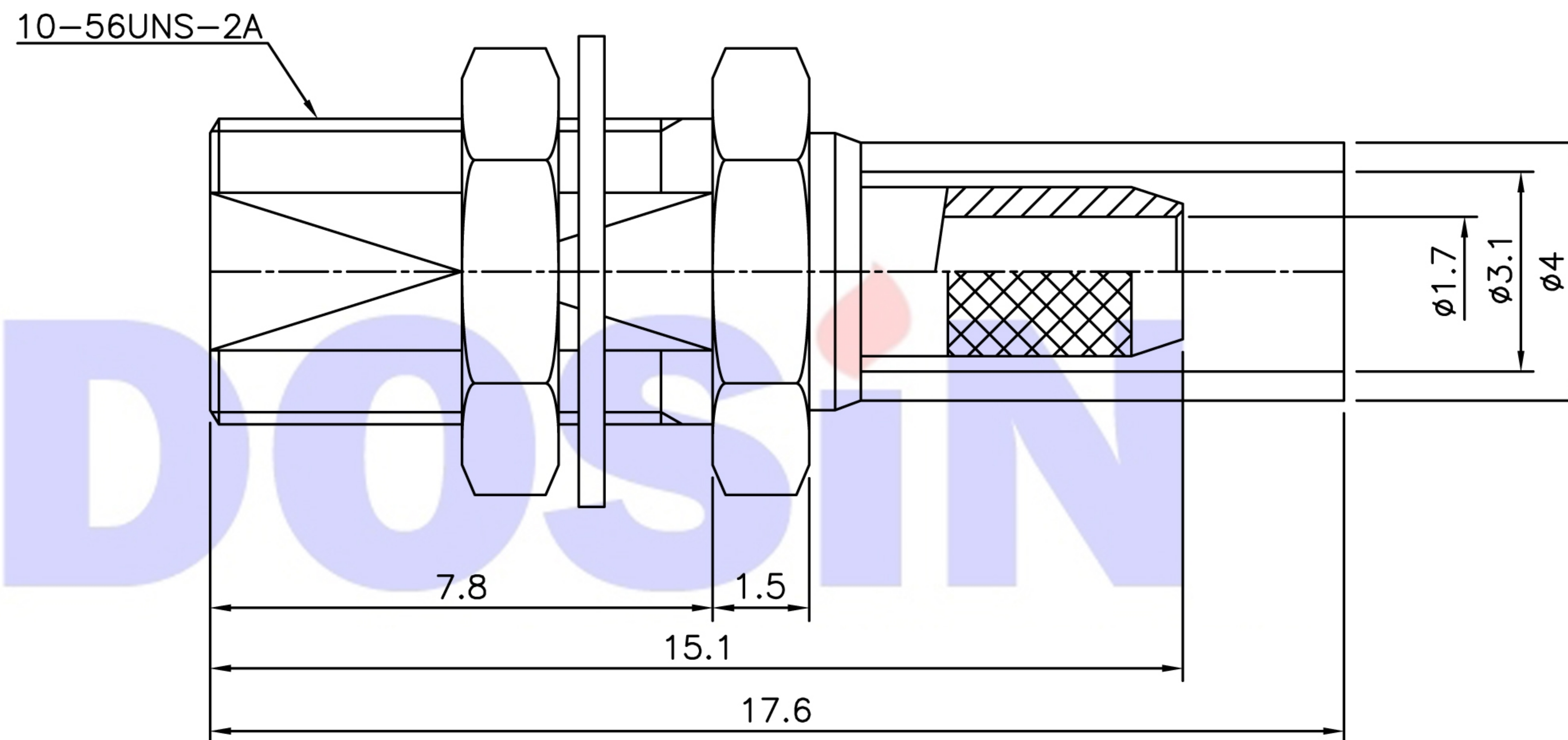
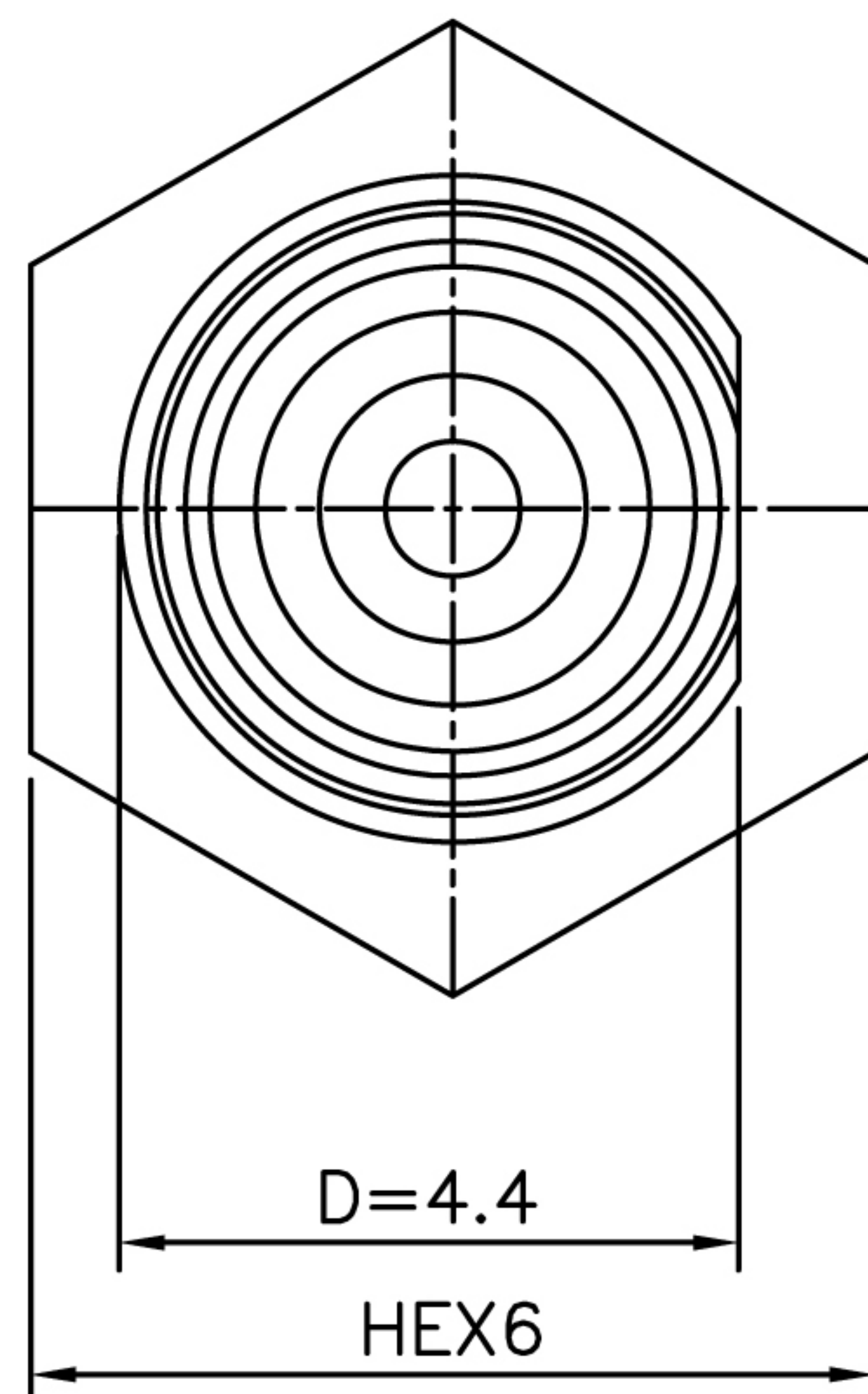




Product NO. DOSIN-809-1018

REV	DESCRIPTION	DWN	DATE	APPROVEN
A	First issue	JIM	2017. 3. 9	John kine



Item	Materials	Plating
Body,Nut,Washer	Brass	Gold Plated
Center contact	Be-Cu	Gold Plated
Insulator	PTFE	-

MCX BULKHEAD JACK
Rear Mount for Cable-RG316

NOTE:		Tolerance	0-6	±0.05
DRAWN	Zelin. Zhang		6-30	±0.10
CHECKED			30-120	±0.20
APPROVALS	John	View		
		UNIT	MM	
		SCALE	1:1	

Dosin Industrial(H.K)Co.Ltd 东莞市德索五金电子制品有限公司 Dosin Hardware Electronics Co.,Ltd		E-mail:dosin2005@163.com dosin2005@dosin-china.com Web:http://www.dosinconn.com TEL:(0086)769-81153906 FAX:(0086)769-81875836	
Name: Bulkhead MCX Jack for Cable RG316			
SIZE	Product NO.	REV	
A	DOSIN-809-1018	B	
DateTime	CAD FILE	SHEET: 1 OF 1	
2017. 3. 9	D/company drawings/BD		