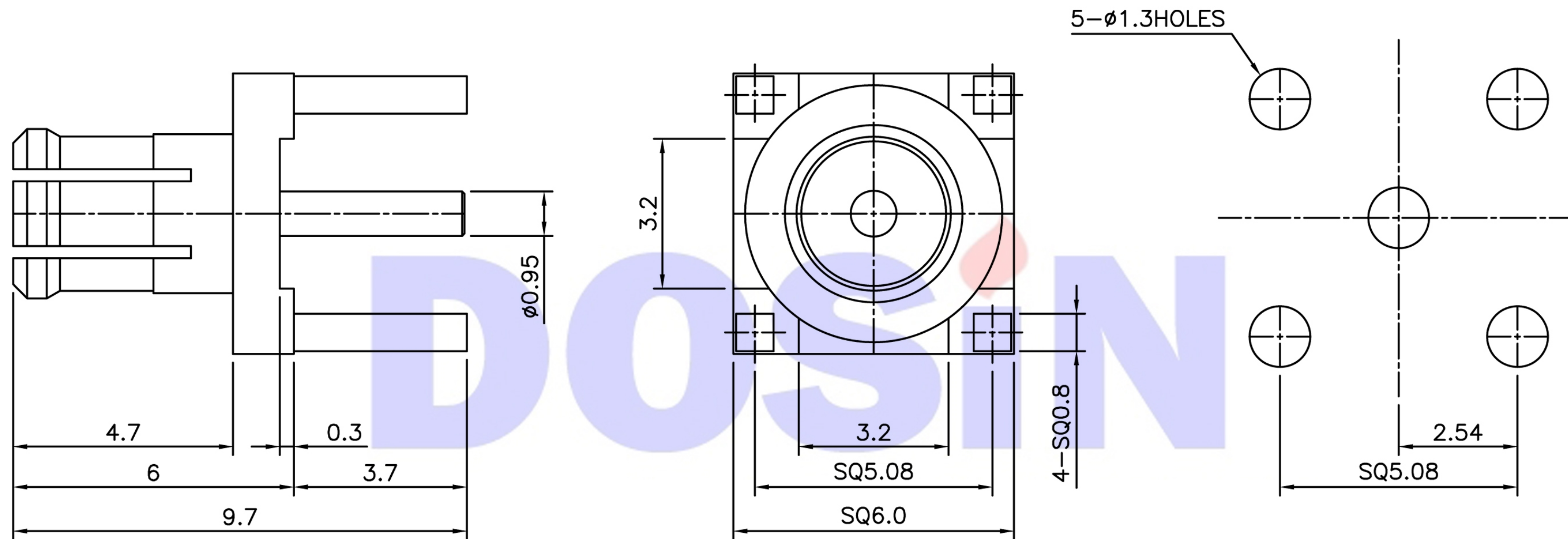




Product NO. DOSIN-809-1025

REV	DESCRIPTION	DWN	DATE	APPROVEN
A	First issue	JIM	2017. 3. 9	John kine



Item	Materials	Plating
Body	Brass	Gold Plated
Center contact	Brass	Gold Plated
Insulator	PTFE	-

NOTE:		Tolerance	0-6	± 0.05
DRAWN Zelin. Zhang			6-30	± 0.10
2017. 3. 9			30-120	± 0.20
CHECKED			Angular	$\pm 2^\circ$
APPROVALS John		View		
		UNIT	MM	
		SCALE	1:1	

		Dosin Industrial(H.K)Co.Ltd 东莞市德索五金电子制品有限公司		E-mail:dosin2005@163.com dosin2005@dosin-china.com	
		Dosin Hardware Electronics Co.,Ltd		Web:http://www.dosinconn.com TEL:(0086)769-81153906 FAX:(0086)769-81875836	
Name: MCX Straight Plug PCB		Product NO. DOSIN-809-1025		REV B	
SIZE A	DateTime 2017. 3. 9	CAD FILE D/company drawings/BD		SHEET: 1 OF 1	