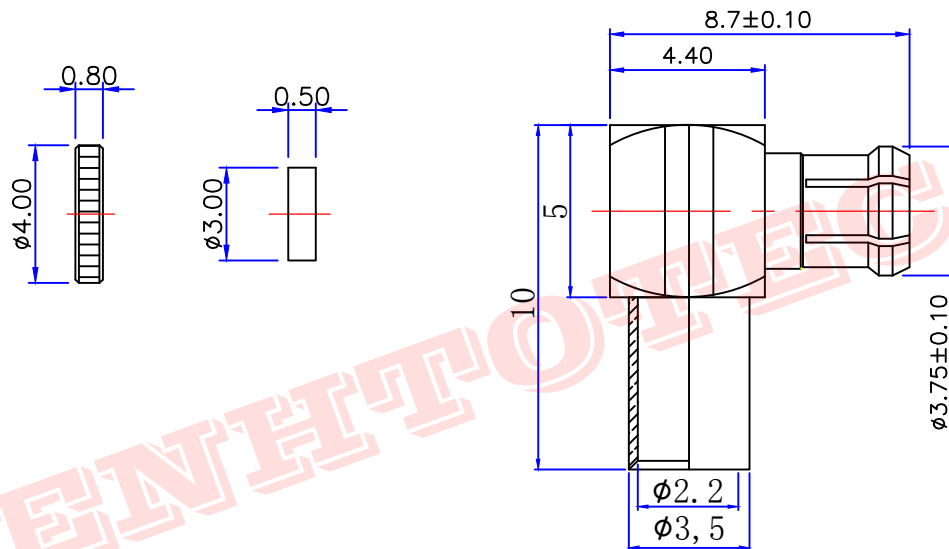


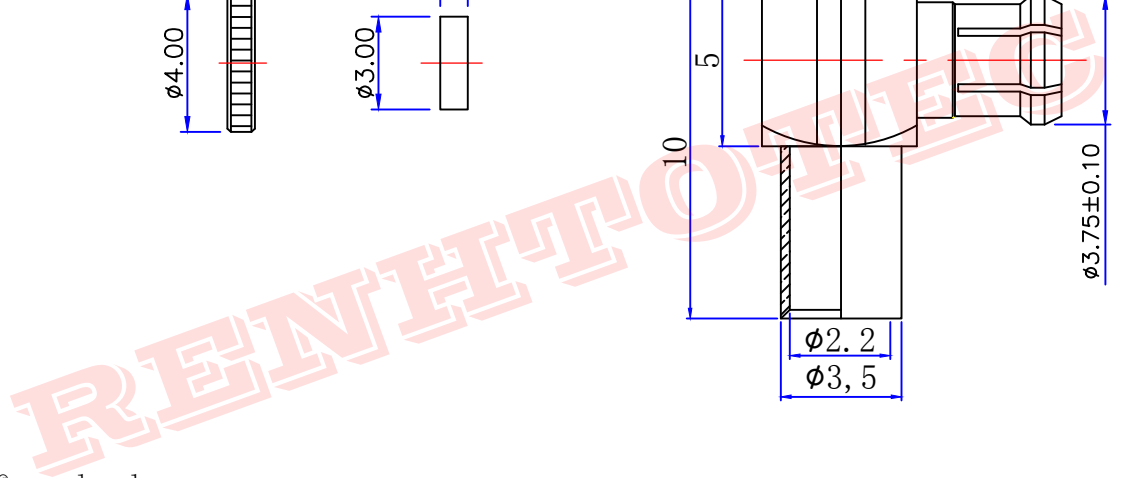


Product NO.	RHT-617-0080			
REV	DESCRIPTION	DWN	DATE	APPROVEN
A	First issue	Mr. CHEN	2016/9/03	John kine



Specifications

Impedance: 50 Ohms
 Frequency Range: 0~6Ghz
 VSWR: 1.25max
 Working Voltage: <170 V rms @ sea level
 Insulation Resistance: 5000 Ohms min
 Temperature Range: -65°C TO +165°C
 Drawings products are in line with ROHS standards



1	Body	Brass	GOLD	1	NOTE:	Tolerance	0-6	±0.10	RENHOTEC GROUP www.renhotec.com	Name: MCX PLUG R/A FOR RG405 CABLE
2	Insulation	Teflon	White	1			6-30	±0.20		
3	Pin	Copper	GOLD	1			30-120	±0.30		
4							Angular	±2°		
5					DRAWN	2016/09/03	View		SIZE A	Product NO. RHT-617-0080
6					Zelin. CHEN					
7					CHECKED		UNIT	MM	REV A	
8					APPROVALS	03/09.2016	SCALE	1:1	DateTime	2016/9/03
9					John				CAD FILE	D/company drawings/BD
10	Component Number	Material	Finish	QTY	Kine				SHEET: 1 OF 1	