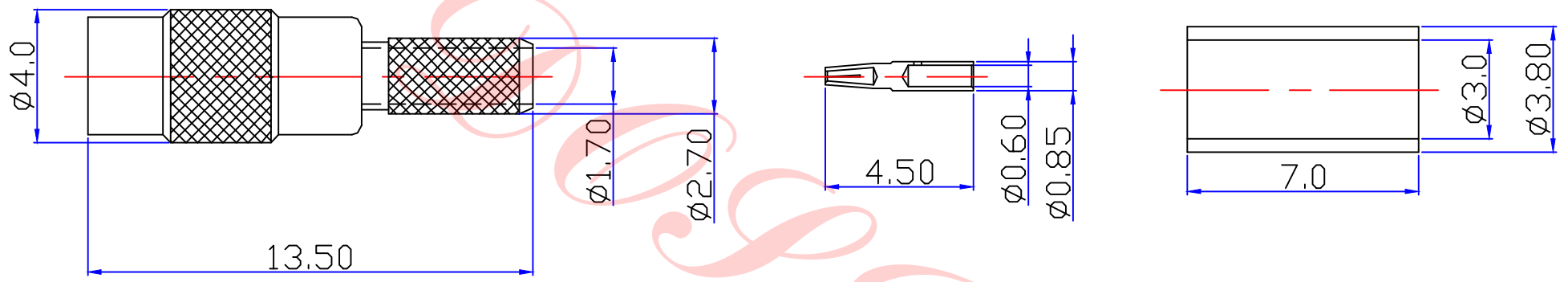




Product NO.		DOSIN-809-0071		
REV	DESCRIPTION	DWN	DATE	APPROVEN
A	First issue	Mr. CHEN	2016/05/12	John kine
B				



Specifications

Impedance: 50 Ohms
 Frequency Range: 0~6Ghz
 VSWR: 1.25max
 Working Voltage: <170 V rms @ sea level
 Insulation Resistance: 5000 Ohms min
 Temperature Range: -65°C TO +165°C
 Drawings products are in line with ROHS standards

1	Body	Brass	GOLD	1
2	Insulation	Teflon	White	1
3	Pin	Brass	GOLD	1
4	FERRULE	Brass	ZINC	
5				
6				
7				
8				
9				
10				
NO	Component Number	Material	Finish	QTY

NOTE:	
DRAWN	2016/05/12
Zelin. Zhang	
CHECKED	
APPROVALS	
John	12/05.2016

Tolerance	X. ±0.10
	X. X ±0.08
	X. XX ±0.05
	Angular ±5°
View	
UNIT	MM
SCALE	1:1

Dosin Industrial(H.K)Co.Ltd 东莞市德索五金电子制品有限公司 Dosin Hardware Electronics Co.,Ltd		E-mail:dosin2005@163.com dosin2005@dosin-china.com Web:http://www.china-guan.com TEL:(0086)769-81153906 FAX:(0086)769-81875836	
Name: MMCX PLUG FOR RG316-RG174			
SIZE A	Product NO.	DOSIN-809-0071	REV B
DateTime	CAD FILE	SHEET: 1 OF 1	
2016/05/12	D/company drawings/BD		