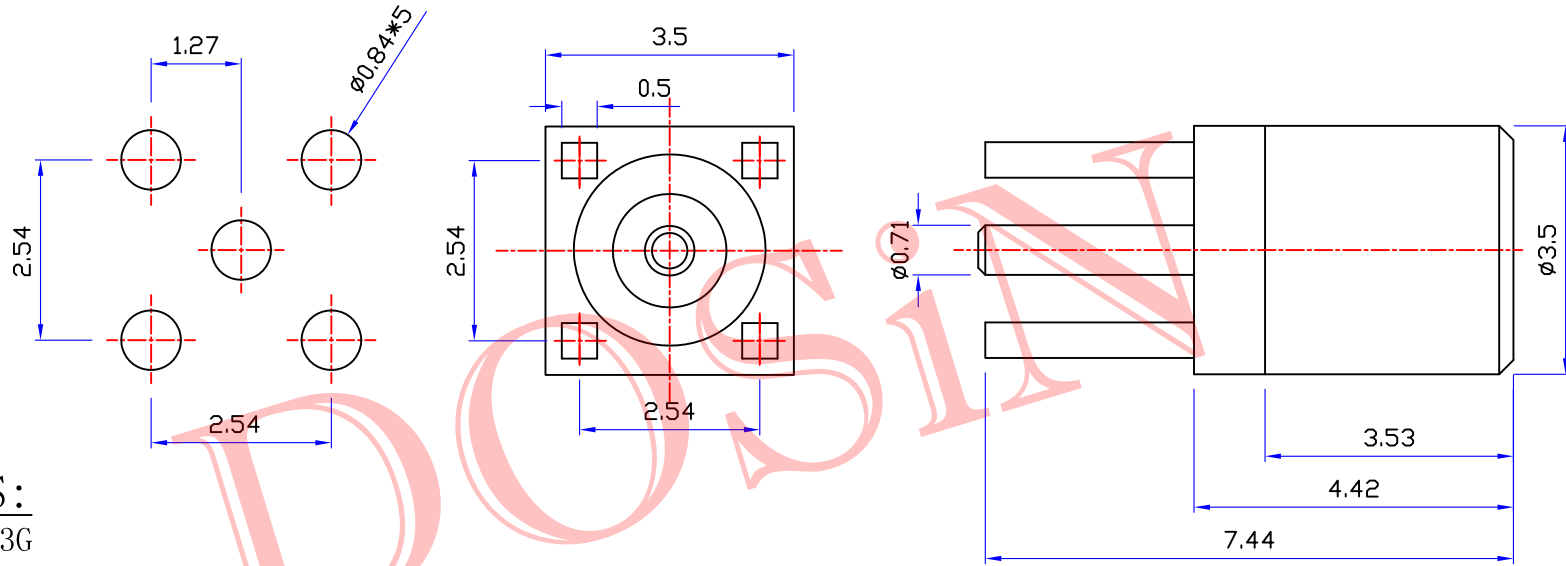




Product NO.		DOSIN-809-0002		
REV	DESCRIPTION	DWN	DATE	APPROVEN
A	First issue	Mr. Wang	2009/08/07	John kine



**SPECIFICATIONS:**

Frequency Range:DC~3G  
 VSWR:30dB Return loss @ 1GHZ  
 Working Voltage:15 watts continuous  
 Insulation Resistance:5000 Ohms min  
 Temperature Range:-40°C TO +60°C  
 Drawings products are in line with ROHS standards

1	Body	BRASS	Gold	NOTE:	Tolerance	X.	±0.15	<b>Dosin Industrial (H.K) Co. Ltd</b> 东莞市德索五金电子制品有限公司 <b>Dosin Hardware Electronics Co., Ltd</b>	E-mail:dosin2005@163.com	
2	Insulator	PTFE	White			X.X	±0.10		dosin2005@dosin-china.com	
3	Center contact	Copper	Gold			X.XX	±0.05		Web:http://www.dosinconn.com	
4				Angular	±5°	TEL:(0086) 769-81153906				
5						FAX:(0086) 769-81875836				
6										
6				DRAWN	2012/05/06	View		Name: MCX FEMALE CONNECTOR		
7				Zelin. Zhang		UNIT		SIZE	Product NO.	
8				CHECKED		View		A	DOSIN-809-0002	
9						UNIT		REV		
10				APPROVALS		UNIT		A		
NO	Component Number	Material	Finish	John	06/05.2012	SCALE	1:1	DateTime	CAD FILE	SHEET: 1 OF 1
								2012/05/06	H/company drawings/BD	