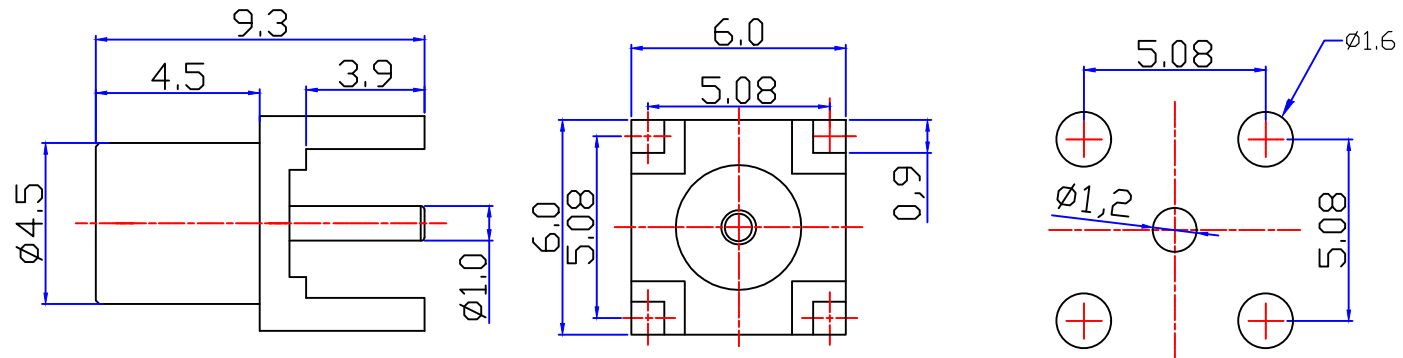




Product NO.		DOSIN-809-0011		
REV	DESCRIPTION	DWN	DATE	APPROVEN
A	First issue	Mr. CHEN	2021/05/28	John kine
B				



Specifications

Impedance: 50 Ohms
 Frequency Range: 0~6GHz
 VSWR: 1.5max
 Working Voltage: <170 V rms @ sea level
 Insulation Resistance: 5000 Ohms min
 Temperature Range: -55°C TO +155°C
 Drawings products are in line with ROHS standards

1	Body	Brass	NICKEL	1	NOTE:	Tolerance	X.	± 0.10	Dosin Industrial(H.K)Co.Ltd 东莞市德索五金电子制品有限公司 Dosin Hardware Electronics Co.,Ltd	E-mail: dosin2005@163.com
2	Insulation	Teflon	White	1			X.X	± 0.08		dosin2005@dosin-china.com
3	Pin	Brass	GOLD	1			X.XX	± 0.05		Web: http://www.china-guan.com
4							Angular	$\pm 5^\circ$	TEL: (0086)769-81153906	
5									FAX: (0086)769-81875836	
6					DRAWN	2021/05/28	View		Name: MCX JACK PCB	
7					CHEKED		UNIT	MM	SIZE A	
8							SCALE	1:1	Product NO. DOSIN-809-0011	
9					APPROVALS		DateTime	2021/05/28	CAD FILE	
10	Component Number	Material	Finish	QTY	John				D/company drawings/BD	
	A	B	John	D	E	F	G		SHEET: 1 OF 1	