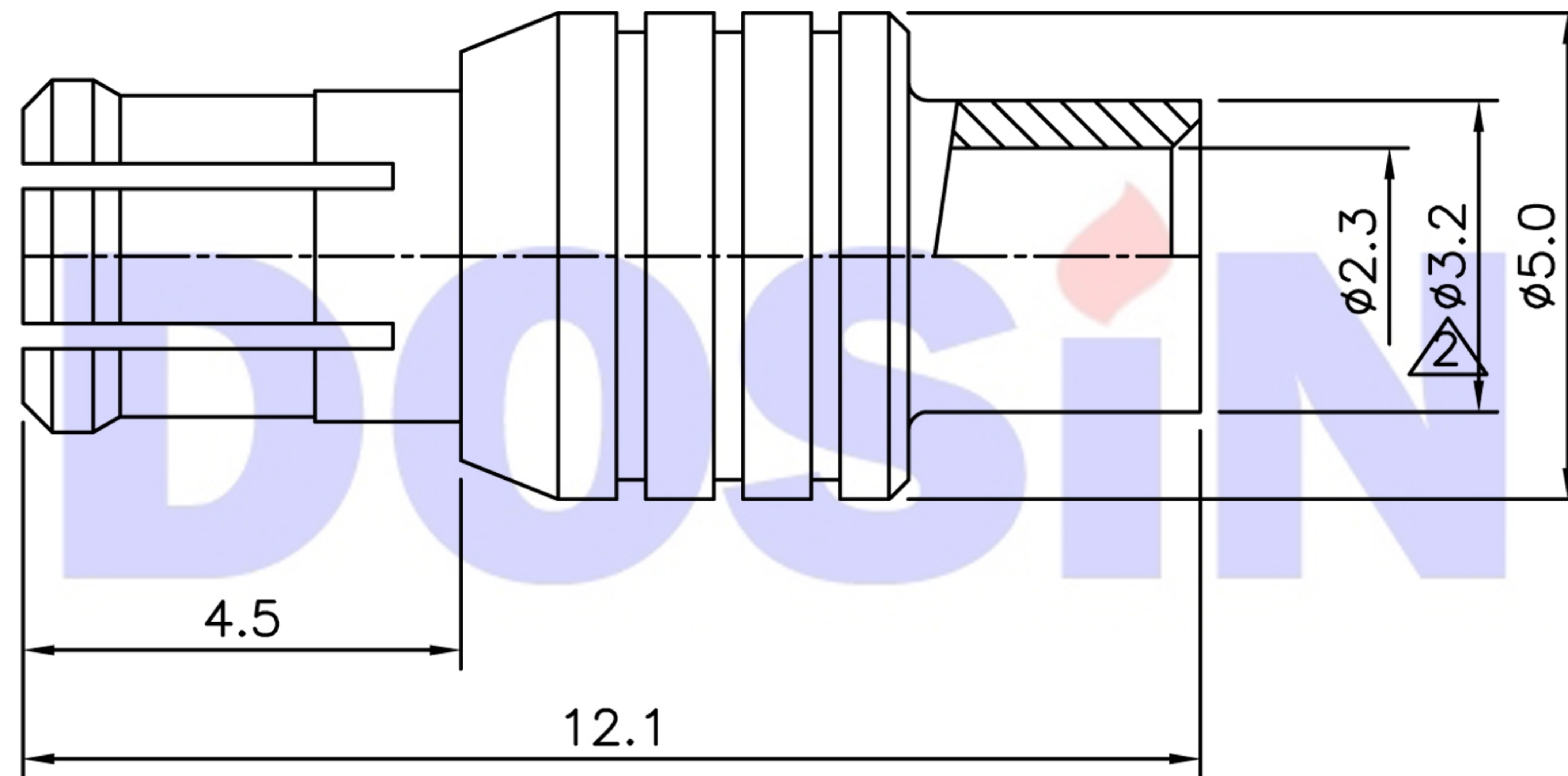




**SPECIFICATIONS**

Impedance ; 50ohm  
 Frequency ; DC~6GHz  
 V.S.W.R ; 1.10+0.075xF(GHz)  
 Voltage rating; 170 VRMS  
 Temperature range : -55°C to +155°C  
 2002/95/EC (RoHS) : Compliant

Product NO. DOSIN-809-1007				
REV	DESCRIPTION	DWN	DATE	APPROVEN
A	First issue	JIM	2017. 3. 9	John kine



Connector parts	Materials	Finish
Body	Brass	Gold Plated
Outer contact	Be-Cu	Gold Plated
Center contact	Brass	Gold Plated
Insulator	TEFLON	-

NOTE:		Tolerance	0-6 ±0.05
DRAWN Zelin. Zhang			6-30 ±0.10
2017. 3. 9			30-120 ±0.20
CHECKED		View	Angular ±2°
APPROVALS John		UNIT	MM
		SCALE	1:1

**DOSIN** -RF CONNECTOR **Dosin Industrial(H.K)Co.Ltd**  
 东莞市德索五金电子制品有限公司  
**Dosin Hardware Electronics Co.,Ltd**

E-mail:dosin2005@163.com  
 dosin2005@dosin-china.com  
 Web:http://www.dosinconn.com  
 TEL:(0086)769-81153906  
 FAX:(0086)769-81875836

Name: MCX Straight Plug for Cable-UT085, RG405

SIZE A	Product NO. DOSIN-809-1007	REV B
DateTime 2017. 3. 9	CAD FILE D/company drawings/BD	SHEET: 1 OF 1