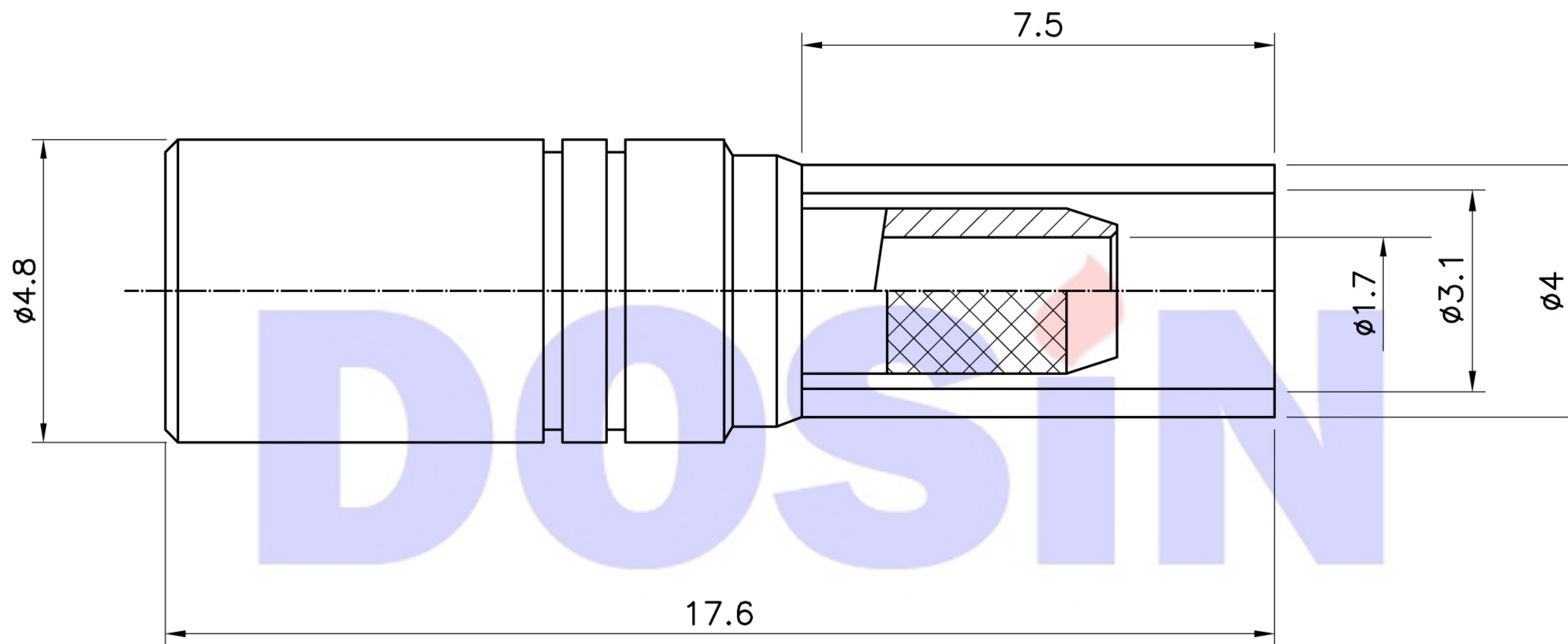




Product NO. DOSIN-809-1010

REV	DESCRIPTION	DWN	DATE	APPROVEN
A	First issue	JIM	2017. 3. 9	John kine



Item	Materials	Plating
Body	Brass	Gold Plated
Center contact	Be-Cu	Gold Plated
Ferrule	Brass	Gold Plated
Insulator	PTFE	-

NOTE:		Tolerance	0-6 ±0.05
DRAWN Zelin. Zhang			6-30 ±0.10
CHECKED		View	30-120 ±0.20
APPROVALS John			Angular ±2°
		UNIT	MM
		SCALE	1:1



Dosin Industrial(H.K)Co.Ltd
 东莞市德索五金电子制品有限公司
Dosin Hardware Electronics Co.,Ltd

E-mail:dosin2005@163.com
 dosin2005@dosin-china.com
 Web:http://www.dosinconn.com
 TEL:(0086)769-81153906
 FAX:(0086)769-81875836

Name: MCX Straight Jack for Cable-RG316

SIZE A	Product NO. DOSIN-809-1010	REV B
-----------	----------------------------	----------

DateTime 2017. 3. 9	CAD FILE D/company drawings/BD	SHEET: 1 OF 1
------------------------	-----------------------------------	---------------