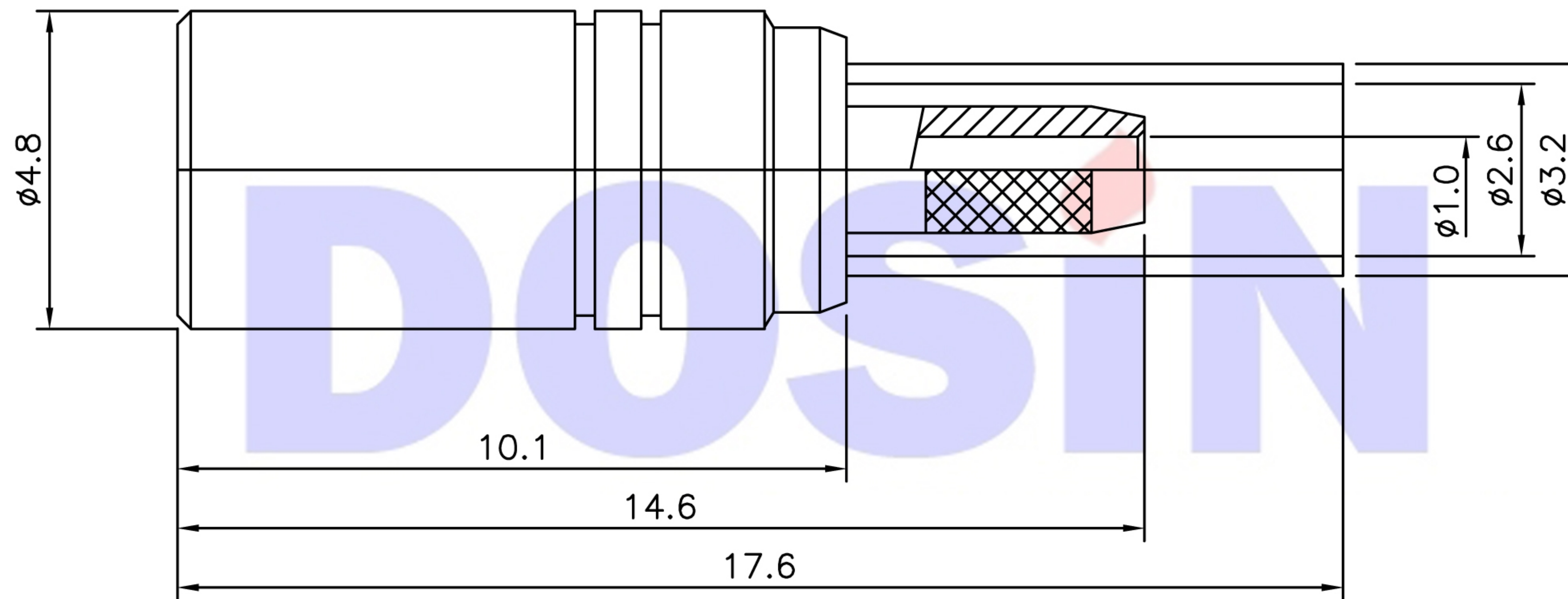




Product NO. DOSIN-809-1011

REV	DESCRIPTION	DWN	DATE	APPROVEN
A	First issue	JIM	2017. 3. 9	John kine



Item	Materials	Plating
Body	Brass	Gold Plated
Center contact	Be-Cu	Gold Plated
Ferrule	Brass	Gold Plated
Insulator	PTFE	-

NOTE:		Tolerance	0-6	±0.05
DRAWN	Zelin. Zhang		6-30	±0.10
CHECKED			30-120	±0.20
APPROVALS	John		Angular	±2°
View				
UNIT		MM		
SCALE		1:1		

**Dosin Industrial(H.K)Co.Ltd**  
 东莞市德索五金电子制品有限公司  
**Dosin Hardware Electronics Co.,Ltd**

E-mail:dosin2005@163.com  
 dosin2005@dosin-china.com  
 Web:http://www.dosinconn.com  
 TEL:(0086)769-81153906  
 FAX:(0086)769-81875836

Name: MCX Straight Jack for Cable-RG178

SIZE A	Product NO. DOSIN-809-1011	REV B
DateTime 2017. 3. 9	CAD FILE D/company drawings/BD	SHEET: 1 OF 1