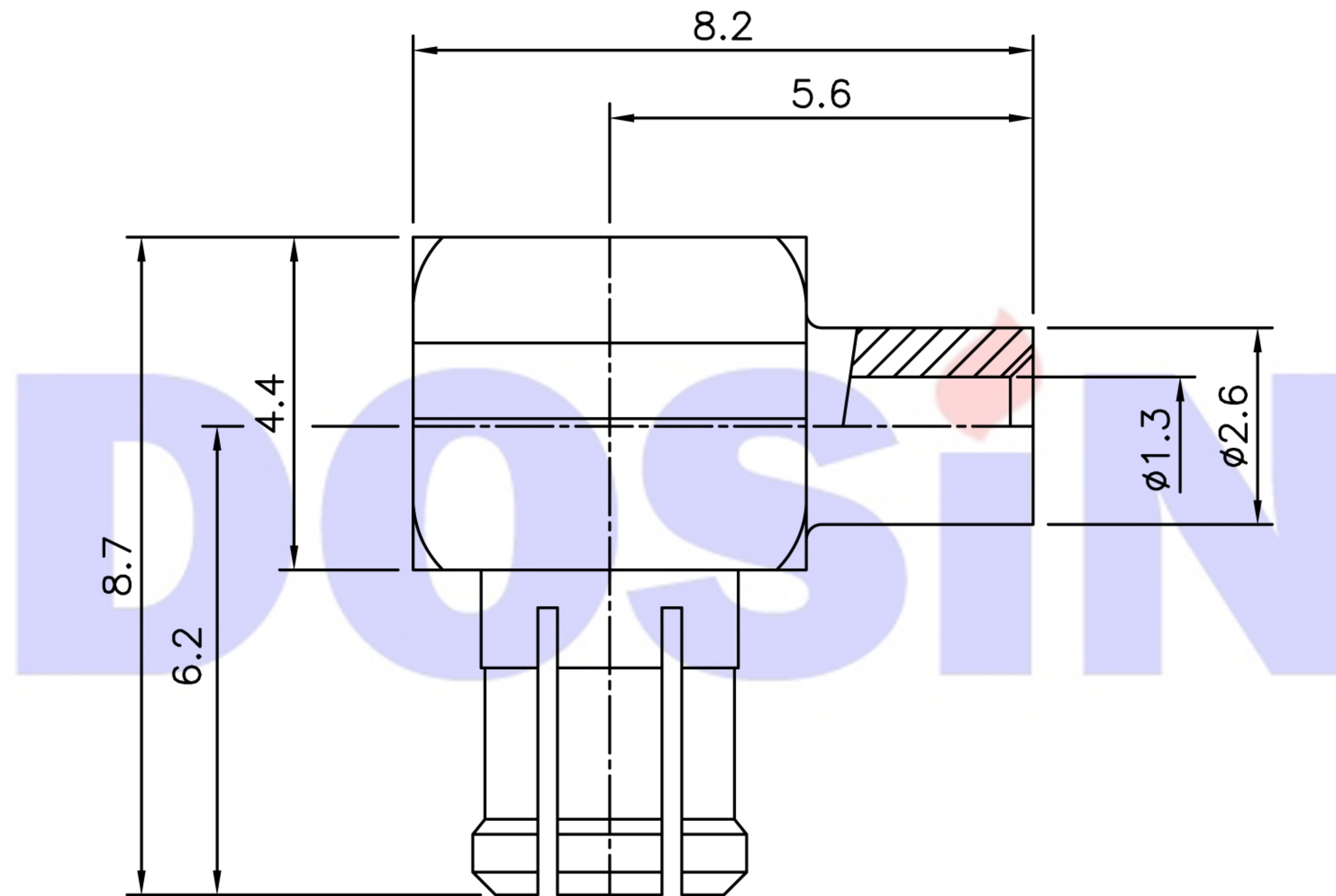




Product NO. DOSIN-809-1012				
REV	DESCRIPTION	DWN	DATE	APPROVEN
A	First issue	JIM	2017.3.9	John kine



Connector parts	Materials	Finish
Body	Brass	Gold Plated
Outer contact	Beryllium copper	Gold Plated
Center contact	Brass	Gold Plated
Insulator	TEFLON	—

NOTE:		Tolerance	0-6 ±0.05	<b>Dosin Industrial(H.K)Co.Ltd</b> 东莞市德索五金电子制品有限公司 <b>Dosin Hardware Electronics Co.,Ltd</b>	E-mail:dosin2005@163.com dosin2005@dosin-china.com	
DRAWN Zelin. Zhang			6-30 ±0.10		Web:http://www.dosinconn.com	
2017.3.9		30-120 ±0.20	View		Name: MCX R/A Plug for Cable-UT047	
CHECKED		Angular ±2°			UNIT	MM
APPROVALS John		SCALE	1:1	DateTime 2017.3.9	CAD FILE D/company drawings/BD	REV B
						SHEET: 1 OF 1