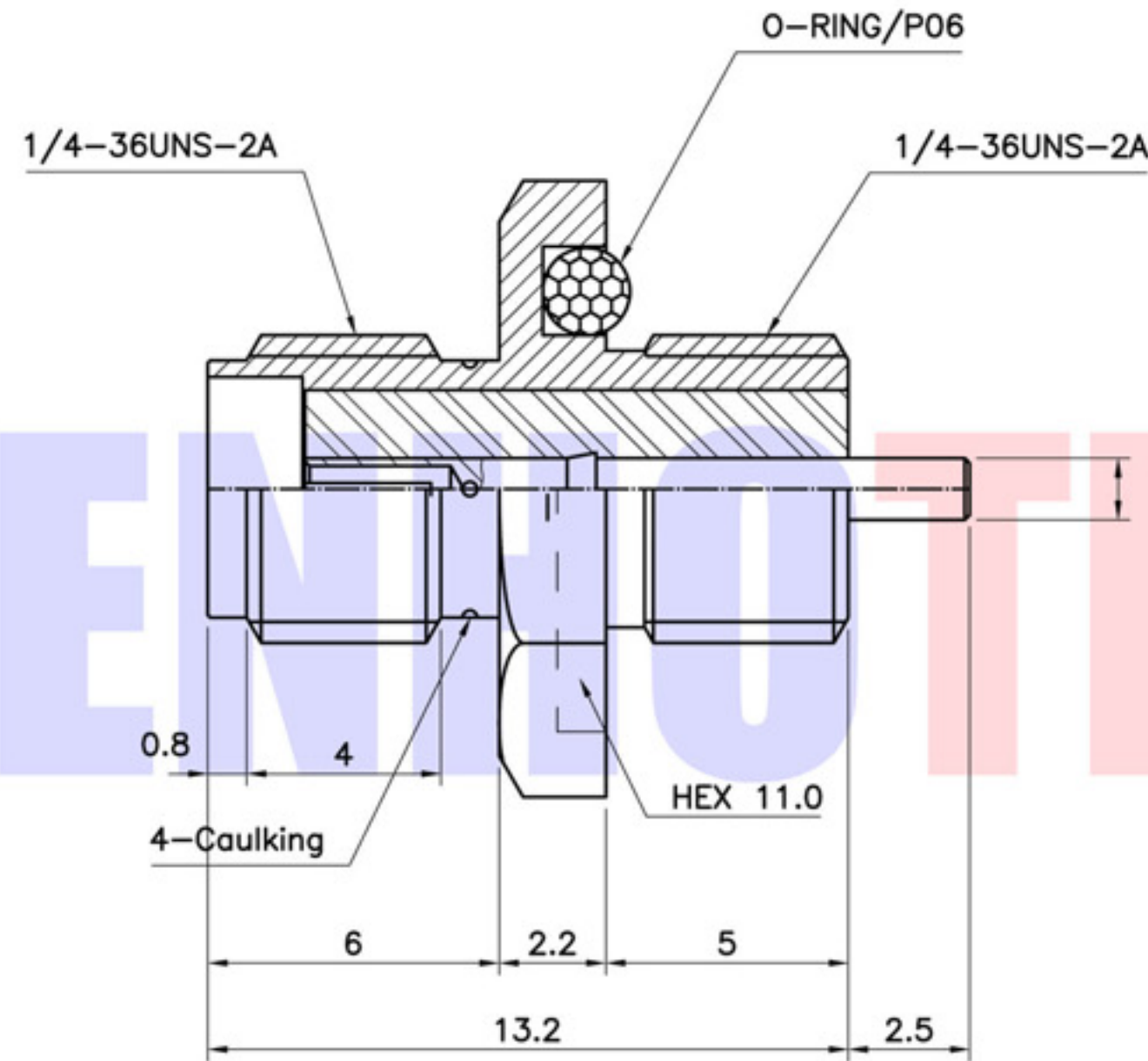




Product NO.	Renhotec-612-0254			
REV	DESCRIPTION	DWN	DATE	APPROVEN
A	First issue	Mr. Wang	2017/3/2	John kine



Connector parts	Materials	Finish
Body	Brass	Gold Plated
Center contact	Beryllium copper	Gold Plated
Insulator	PTFE	-
O-Ring	Silicone rubber	-

NOTE:		Tolerance	0-6	±0.10
DRAWN Zelin. Zhang			6-30	±0.20
2017/3/2		View	30-120	±0.30
CHECKED			Angular	±2°
APPROVALS <i>John Kine</i>		UNIT	MM	
2017/3/2		SCALE	1:1	



RENHOTEC GROUP

Name: SMA Bulkhead Jack Receptacle with Seal

SIZE A Product NO. RHT-612-0254 REV B

DateTime 2017/3/2 CAD FILE D/company drawings/BD SHEET: 1 OF 1