



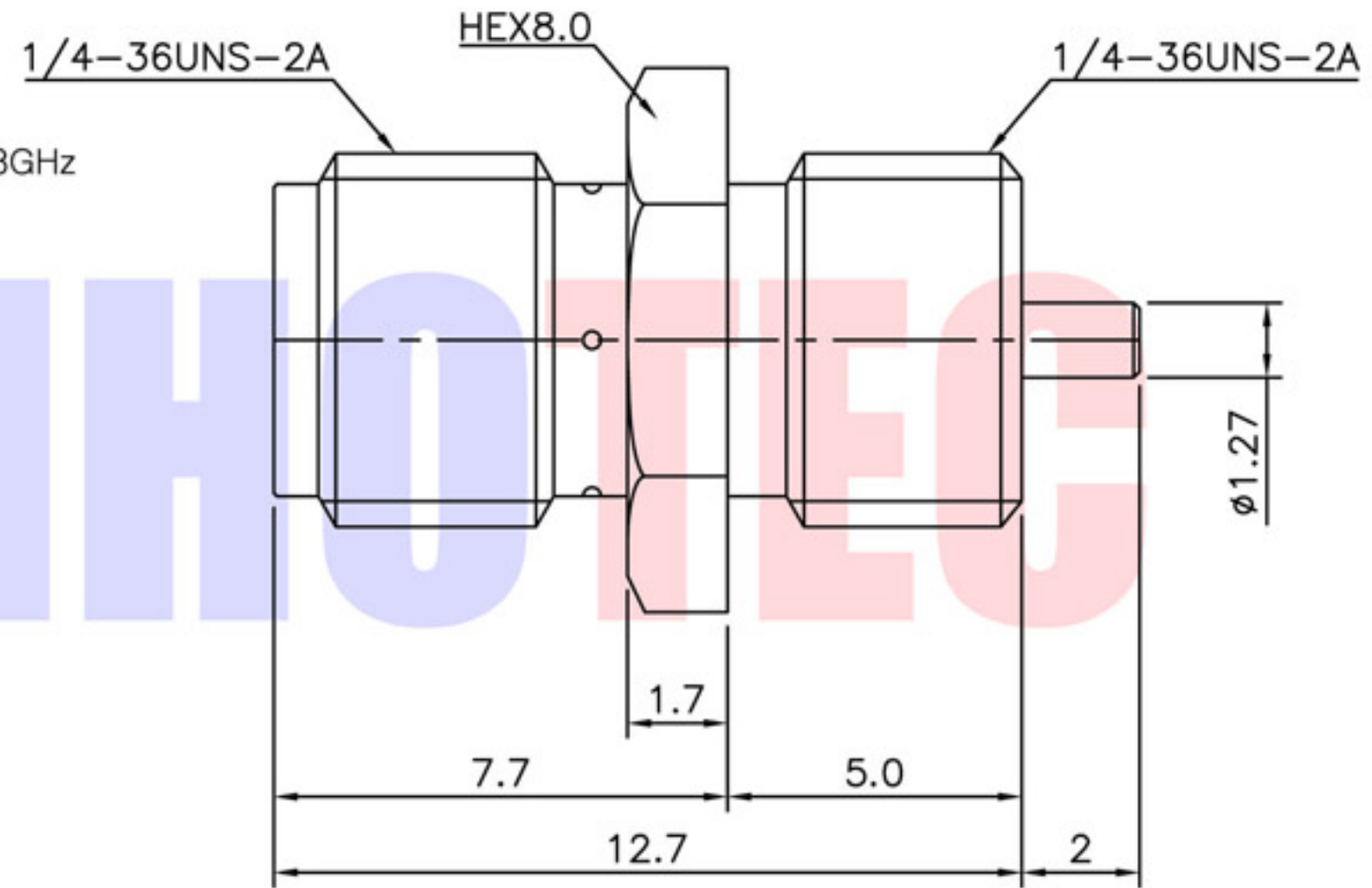
**ELECTRICAL DATA**

Impedance 50Ω  
 Frequency range Semi-rigid cable: DC~18GHz  
 Flexible cable : DC~12.4GHz  
 Contact current DC 2.0A max  
 Working voltage Semi-rigid cable: 1000V  
 Flexible cable : 750V  
 Contact resistance Center contacts : 3.0mΩ  
 Outer contacts : 2.5mΩ  
 Insulation resistance 5000MΩ min.  
 Insertion loss 0.05√f(GHz)dB  
 V.S.W.R 1.25 Max @ 18GHz  
 RF leakage -60dBm min. between 2~3GHz

**MECHANICAL DATA**

Life 500 matings.  
 Contact captivation ≥27N

Product NO.	Renhotec-612-0252			
REV	DESCRIPTION	DWN	DATE	APPROVEN
A	First issue	Mr. Wang	2017/3/2	John kine



Connector parts	Materials	Finish
Body	Brass	Gold Plated
Center contact	Beryllium copper	Gold Plated
Insulator	PTFE	-

NOTE:		Tolerance	0-6 ±0.10
			6-30 ±0.20
			30-120 ±0.30
			Angular ±2°
DRAWN	2017/3/2	View	
Zelin. Zhang			
CHECKED		UNIT	MM
APPROVALS	2017/3/2	SCALE	1:1
John Kine			



**RENHOTEC GROUP**

Name: SMA Bulkhead Jack Receptacle

SIZE A	Product NO. RHT-612-0252	REV B
DateTime 2017/3/2	CAD FILE D/company drawings/BD	SHEET: 1 OF 1